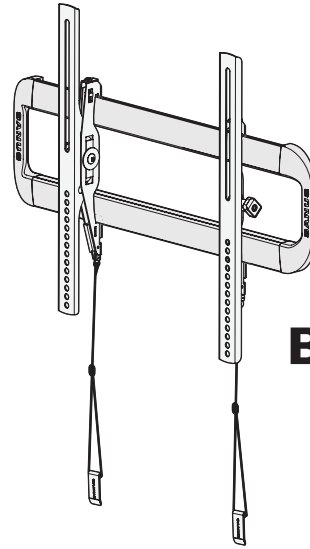




SANUS®

THANK YOU FOR CHOOSING **SANUS**
THE #1 TV MOUNT BRAND IN THE US.

BMT1 Instruction Manual



BMT1

We'll Make It Stress-Free

If you have any questions along the way, just give us a call.
1-800-359-5520 • We're ready to help!

Lo haremos sin estrés

Si tiene preguntas mientras realiza la instalación, llámenos.
1-800-359-5520 • Estamos listos para ayudarlo.

IMPORTANT SAFETY INSTRUCTIONS – SAVE THESE INSTRUCTIONS – PLEASE READ ENTIRE MANUAL PRIOR TO USE

Before getting started, let's make sure this mount is perfect for you!

Para Español ver página 35

1 Does your TV weigh (including accessories) *more* than 75 lbs. (34 kg)?

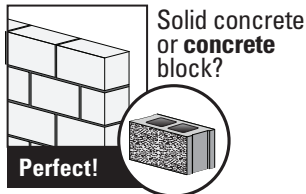
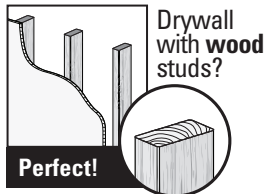


No – Perfect!

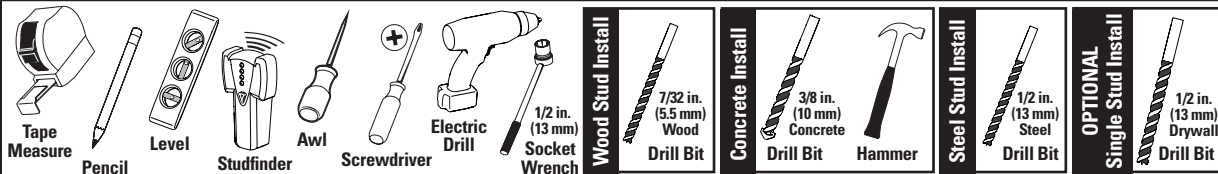
Yes – This mount is NOT compatible. Visit MountFinder.Sanus.com or call 1-800-359-5520 to find a compatible mount.

2 What is your wall made of?

CAUTION:
DO NOT install into drywall alone



3 Do you have all the tools needed?



4 Ready to begin?

Please read through these instructions completely to be sure you're comfortable with this easy install process. Also check your TV owner's manual to see if there are any special requirements for mounting your TV.

If you do not understand these instructions or have doubts about the safety of the installation, assembly or use of this product, contact Customer Service at 1-800-359-5520.

CAUTION: Avoid potential personal injuries and property damage!

- This product includes directions and hardware for use with wood stud, solid concrete and concrete block walls – DO NOT install into drywall alone. For information on how to use this product with steel stud walls contact Customer Service and ask about the steel stud mounting kit.
- The wall must be capable of supporting five times the weight of the TV and mount combined.
- Do not use this product for any purpose not explicitly specified by manufacturer.
- Manufacturer is not responsible for damage or injury caused by incorrect assembly or use.

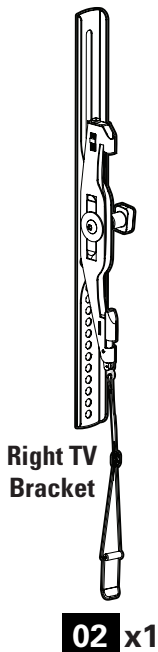
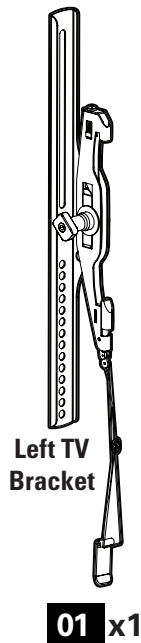
STEP 1

Attach Brackets to TV

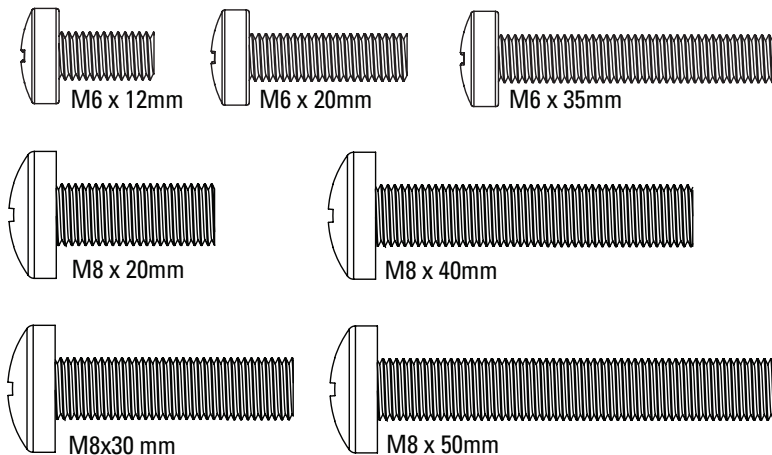
Parts and Hardware for STEP 1

⚠ WARNING: This product contains small items that could be a choking hazard if swallowed. Before starting assembly, verify all parts are included and undamaged. If any parts are missing or damaged, do not return the damaged item to your dealer; contact Customer Service. Never use damaged parts!

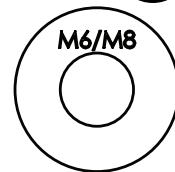
📄 NOTE: Not all hardware included will be used.



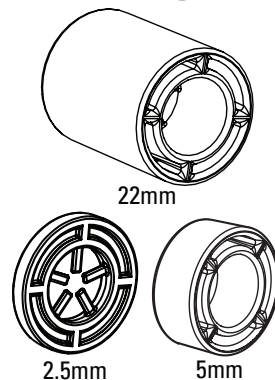
TV Screws **03** x4



TV Washers **04** x4

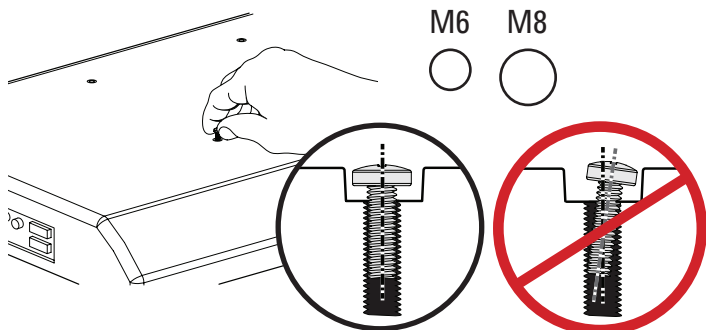


Spacers **05** x4



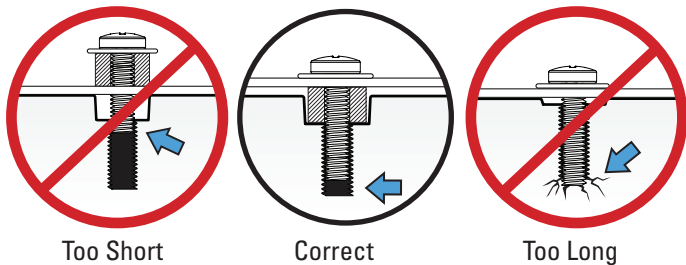
1.1 Select TV Screws

Hand thread screws into the threaded inserts on the back of your TV to determine which screw diameter (M6 or M8) to use.



⚠ CAUTION: Verify adequate thread engagement of the screw/washer/spacer combination on your TV.

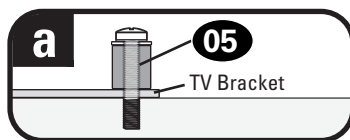
Too short will not hold the TV and too long will damage the TV.



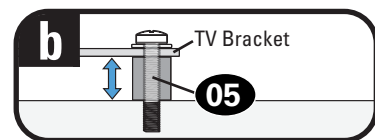
1.2 Spacers

Spacers and screws are supplied to install your TV bracket.

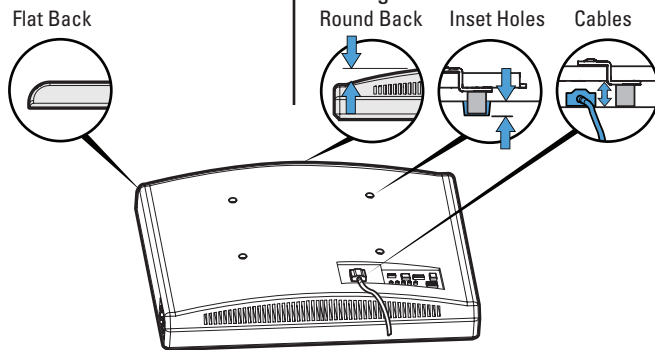
Determine your preference for spacer configuration when attaching your TV bracket.



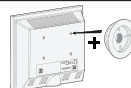
Mount the spacers **05** above the TV bracket, for flat back panels (AND the TV closer to the wall).



Mount the spacers **05** under the TV bracket to create extra space needed for irregular shape TV backs or large cables.



? If your TV included inset spacers or wall mount adapters, see Troubleshooting on PAGE 31.



1.3 Attach TV Brackets

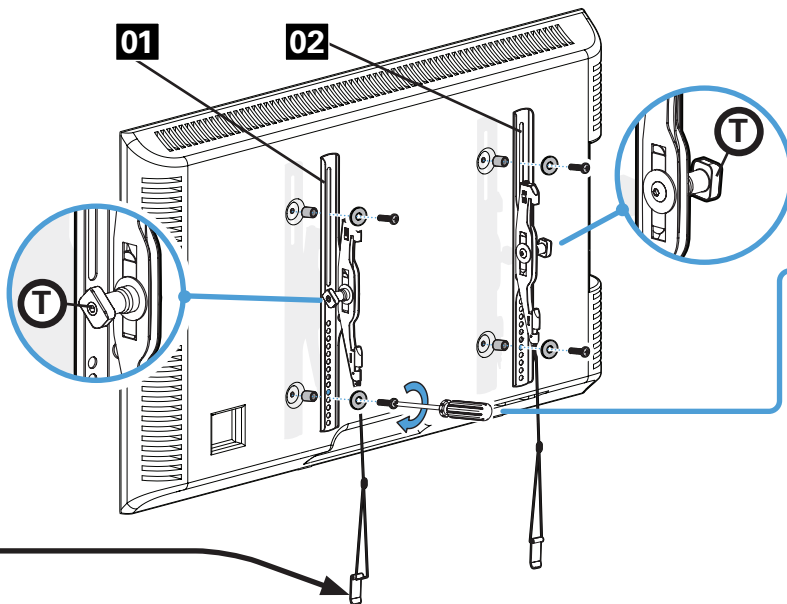
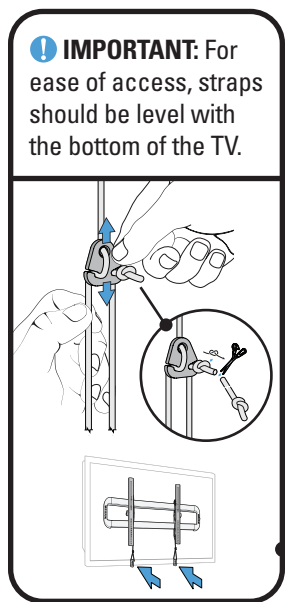
Center the TV brackets **01** and **02** over your TV hole pattern as shown - making sure the brackets are level.

 **NOTE:** The tilt tension knob **(T)** on TV brackets **01** and **02** should be oriented to the outside edges.

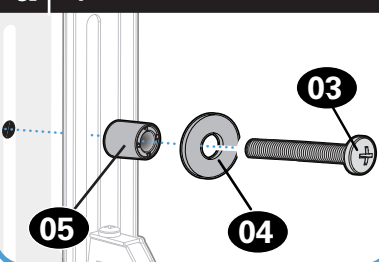
Install using the spacer, TV screw and washer combination you selected for your TV.

 **CAUTION:** Avoid potential personal injuries and property damage! **DO NOT** use a power screwdriver for this step. Tighten screws only until TV Bracket is secured in place.

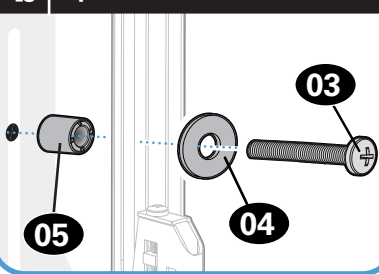
Standard configurations are shown. For special applications, or if you are uncertain about your hardware selection, contact Customer Service at 1-800-359-5520.



a Spacer, screw and washer

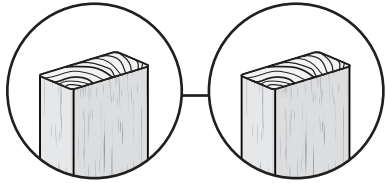


b Spacer, screw and washer

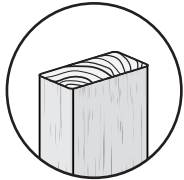


STEP 2

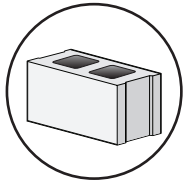
Attach Wall Plate to Wall



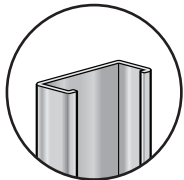
For Wood Stud (Double Stud) installations,
follow STEP 2A on PAGE 9



For Wood Stud (Single Stud) installations,
follow STEP 2B on PAGE 13



For Concrete installations,
follow STEP 2C on PAGE 20



For Steel Stud installations,
follow STEP 2D on PAGE 23

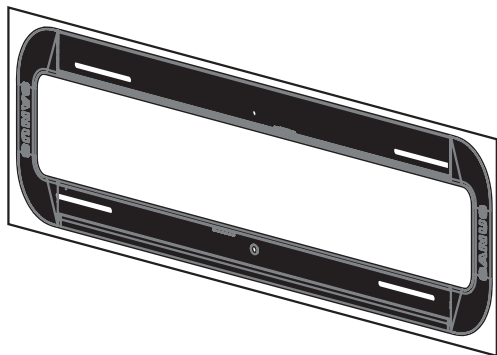
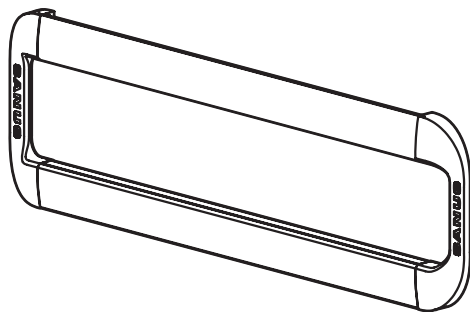
Parts and Hardware for STEP 2

⚠ WARNING: This product contains small items that could be a choking hazard if swallowed. Before starting assembly, verify all parts are included and undamaged. If any parts are missing or damaged, do not return the damaged item to your dealer; contact Customer Service. Never use damaged parts!

📄 NOTE: Not all hardware included will be used.

Wall Plate

07 x1

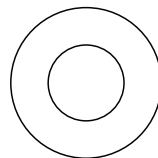


Wall Plate
Template

06 x1

Washer

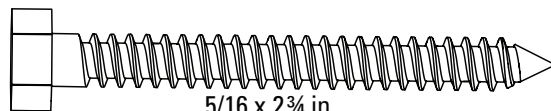
08 x4



5/16 in.

Lag Bolt

09 x4



5/16 x 2 3/4 in.

For concrete installations **ONLY**

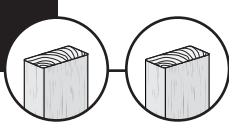
⚠ CAUTION: Do not use in drywall or wood

10 x4



Concrete Anchor UX10 x 60R

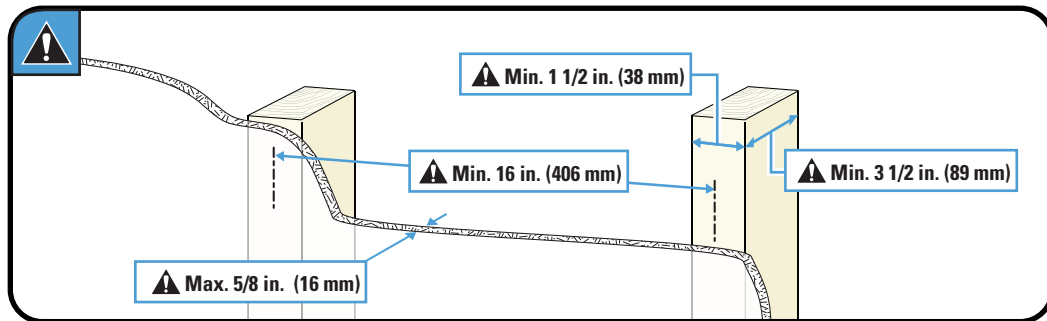
STEP 2A



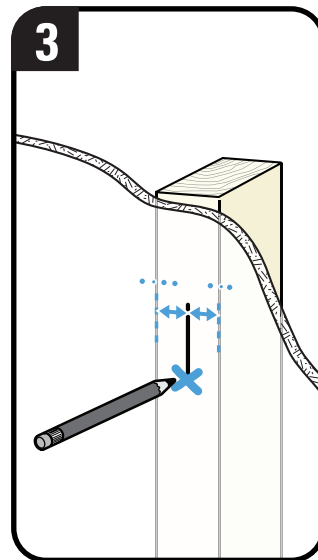
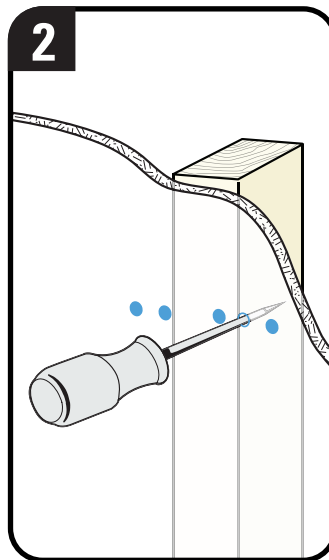
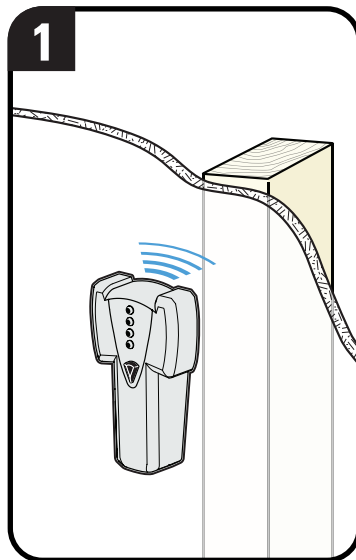
Wood Stud Option (Double Stud Install)

⚠ CAUTION: Avoid potential personal injuries and property damage!


- Drywall covering the wall must not exceed 5/8 in. (16 mm)
- Minimum wood stud size:
common 2 x 4 in. (51 x 102 mm)
nominal 1½ x 3½ in. (38 x 89 mm)
- Minimum horizontal space between fasteners: 16 in. (406 mm)
- Stud centers must be verified – not all walls have conventional 16 in. (406 mm) or 24 in. (610 mm) stud spacing



1. Locate the studs using a stud finder.
2. Find the edges of the studs using an awl or small drill bit.
3. Mark the centers of the studs with a pencil.




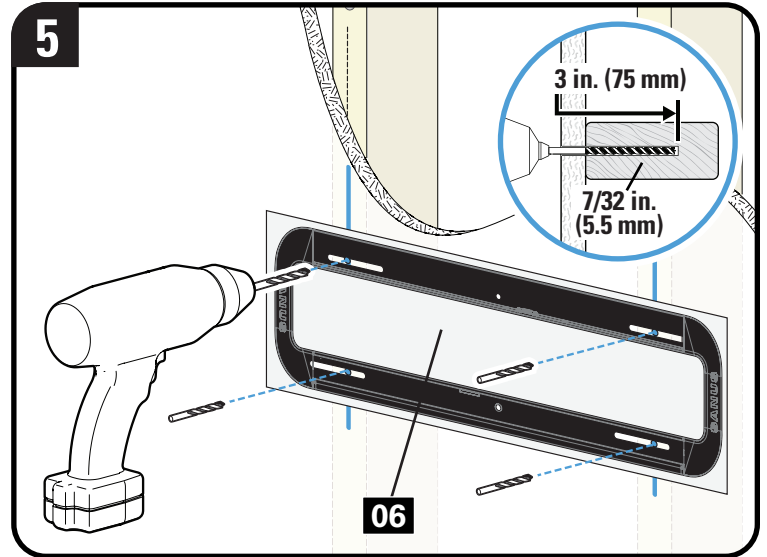
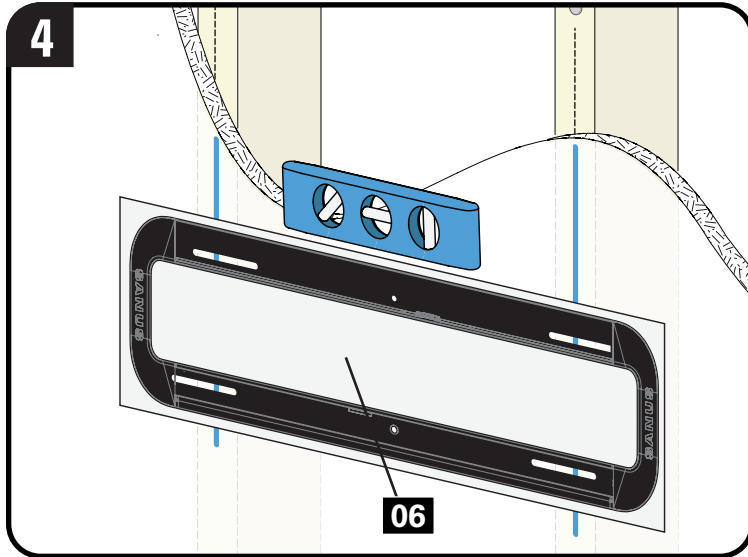
- Place the wall plate template **06** at your desired height and position the slotted holes over your stud center lines. Level the wall plate template **06** and tape in place.

 **NOTE:** For assistance in determining wall plate location, see HeightFinder at sanus.com.

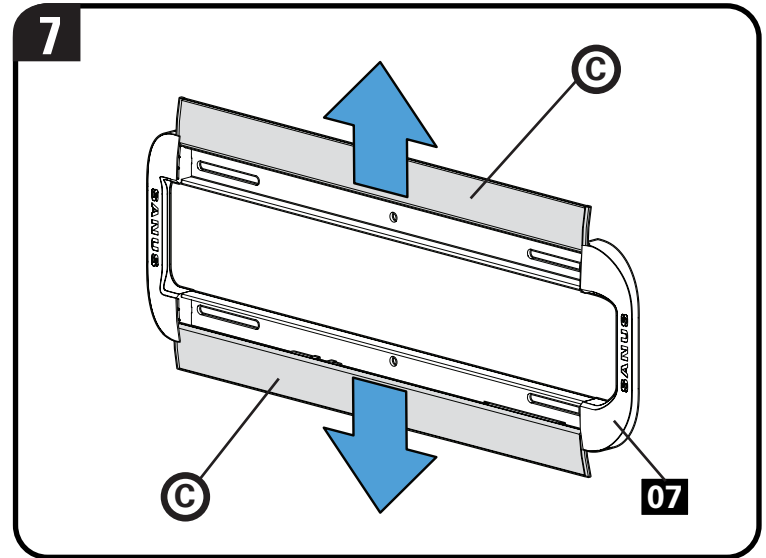
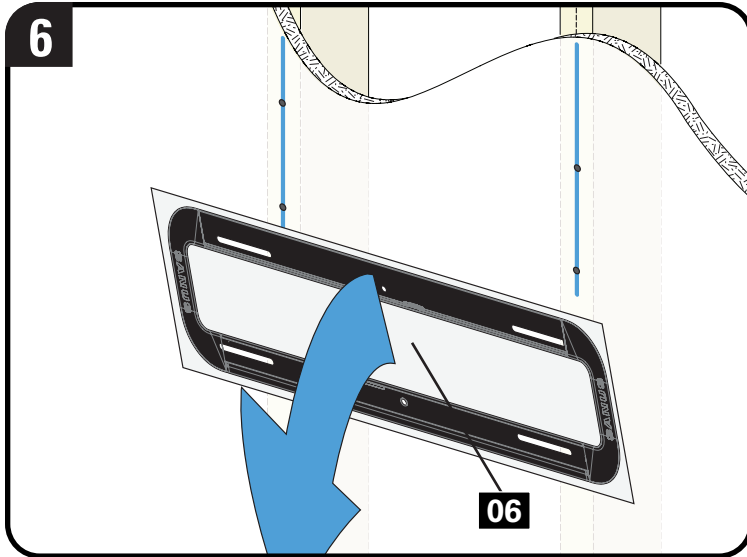
 **IMPORTANT:** Be sure you mark and drill into the center of the stud.

- Drill the four pilot holes using a 7/32 in. (5.5 mm) diameter drill bit.

 **IMPORTANT:** Pilot holes must be drilled to a depth of 3 in. (75 mm).




6. Remove the wall plate template **06**.
7. Slide the covers **C** open on the wall plate **07** to expose the mounting holes.



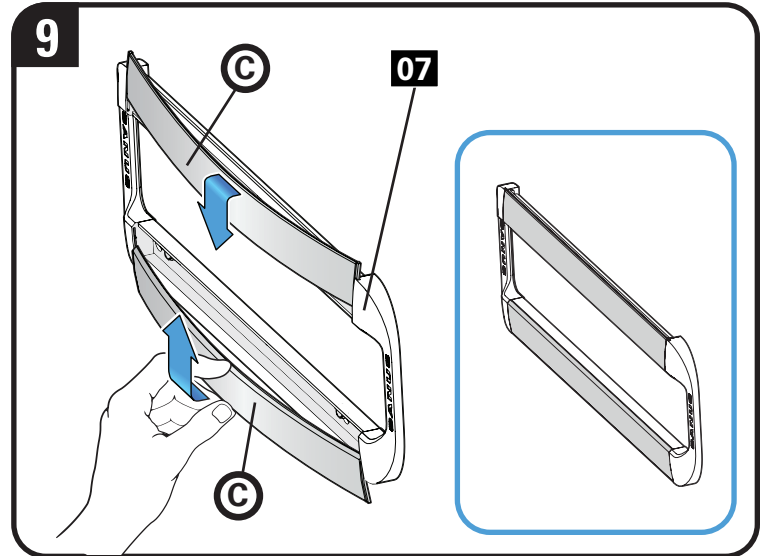
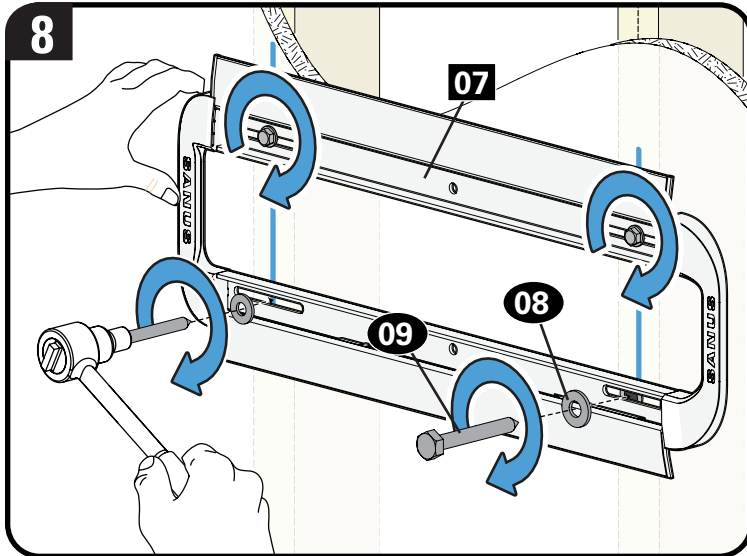
8. Install the wall plate **07** using four washers **08** and lag bolts **09**. Firmly tighten all four lag bolts **09** until they are pulled flush against the wall plate **07**.

 **NOTE:** Hold the wall plate **07** in place when tightening the first lag bolt **09** to keep the plate from shifting out of place.

 **CAUTION:** Avoid potential personal injury or property damage! All four lag bolts **09** MUST BE firmly tightened to prevent unwanted movement of the wall plate **07**. Ensure the wall plate is securely fastened to the wall before continuing on to the next step.

9. Slide the covers **C** closed on wall plate **07**.

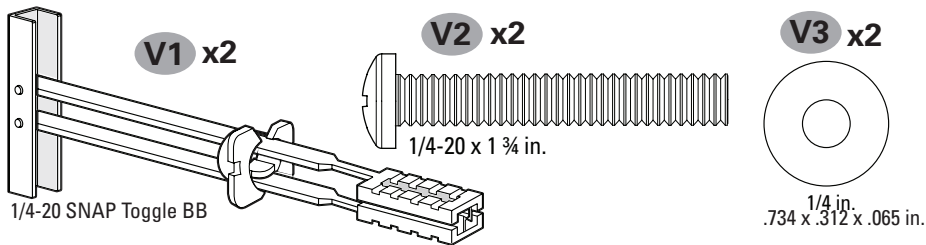
Go to STEP 3 on PAGE 27.



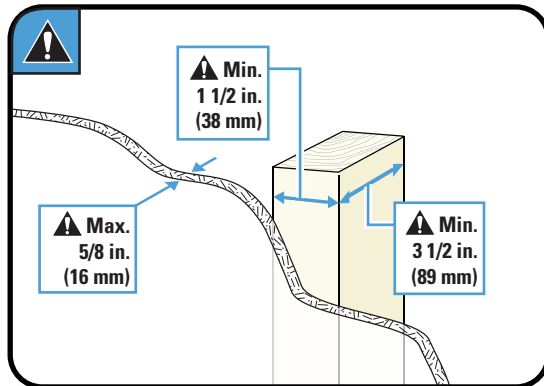
STEP 2B

Wood Stud Option (Single Stud Install)

Single Stud Installation Kit #VMTMK1 (NOT INCLUDED) *



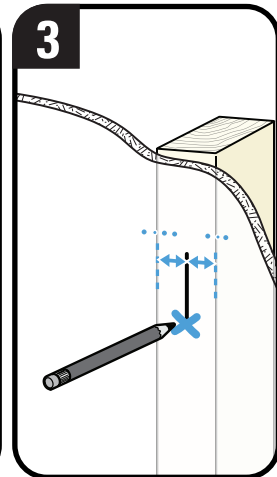
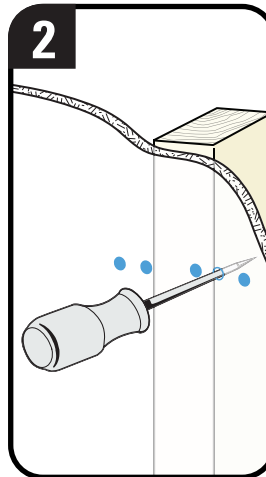
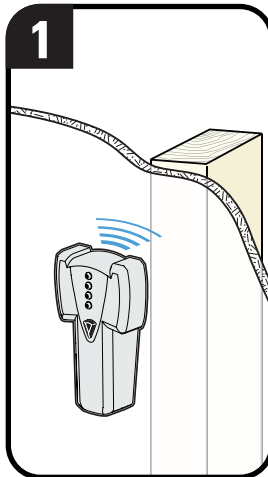
*Contact Customer Service at 1-800-359-5520 to have the additional hardware shipped directly to you.



CAUTION: Avoid potential personal injuries and property damage!

- Drywall covering the wall must not exceed 5/8 in. (16 mm)
- Minimum wood stud size: common 2 x 4 in. (51 x 102 mm) nominal 1 1/2 x 3 1/2 in. (38 x 89 mm)
- Stud center must be verified
- The middle two lag bolts **MUST** be installed into a wood stud – this product was not designed to be used in drywall alone

1. Locate the studs using a stud finder.
2. Find the edges of the studs using an awl or small drill bit.
3. Mark the centers of the studs with a pencil.



4. Place the wall plate template **06** at your desired height and position the MIDDLE HOLES over your stud center lines. Level the wall plate template **06** and tape in place.

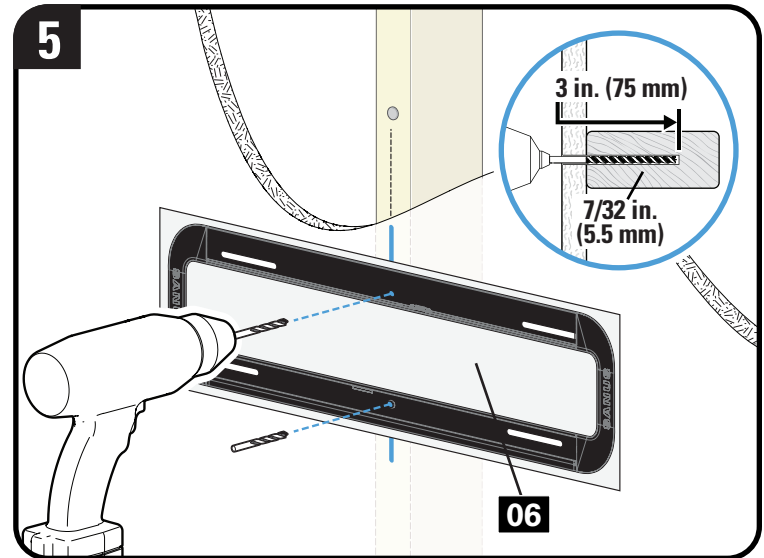
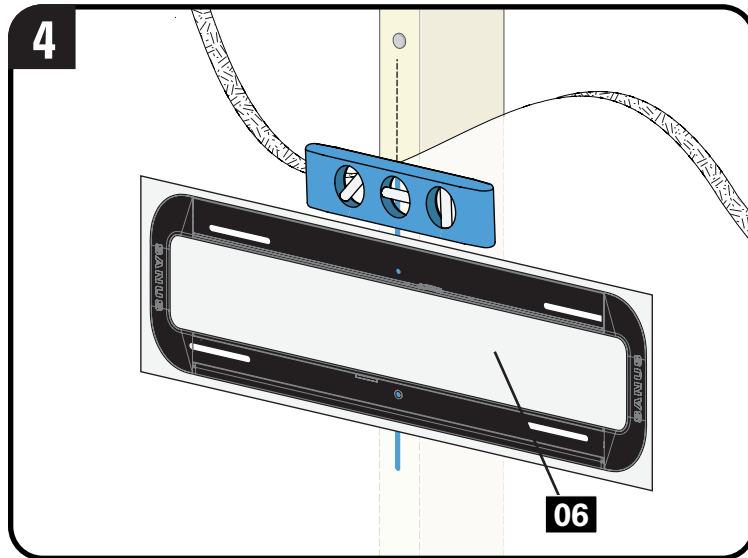
⚠ CAUTION: Avoid potential personal injury or property damage! You MUST install using the center holes in the stud as shown.

📄 NOTE: For assistance in determining wall plate location, see HeightFinder at sanus.com.

! IMPORTANT: Be sure you mark and drill into the center of the stud.

5. Drill the middle two pilot holes (into the stud) using a 7/32 in. (5.5 mm) diameter drill bit.

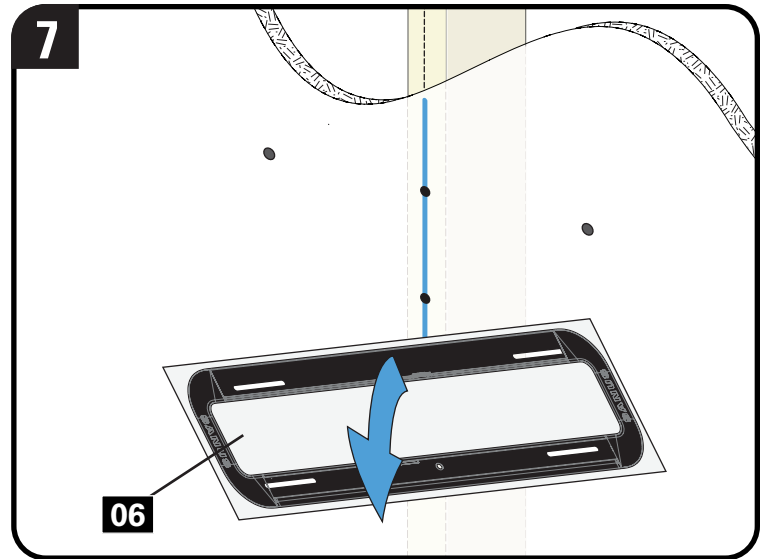
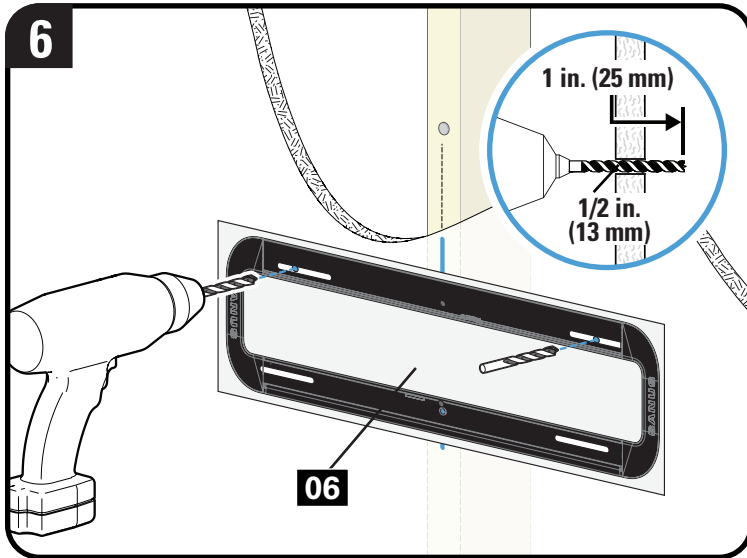
! IMPORTANT: Pilot holes must be drilled to a depth of 3 in. (75 mm).



6. Drill the outer top two pilot holes (into the drywall) using a 1/2 in. (13 mm) diameter drill bit.

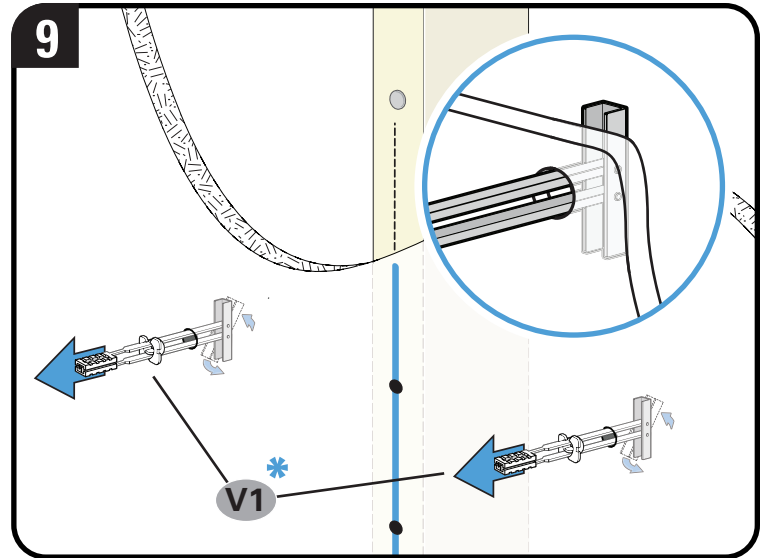
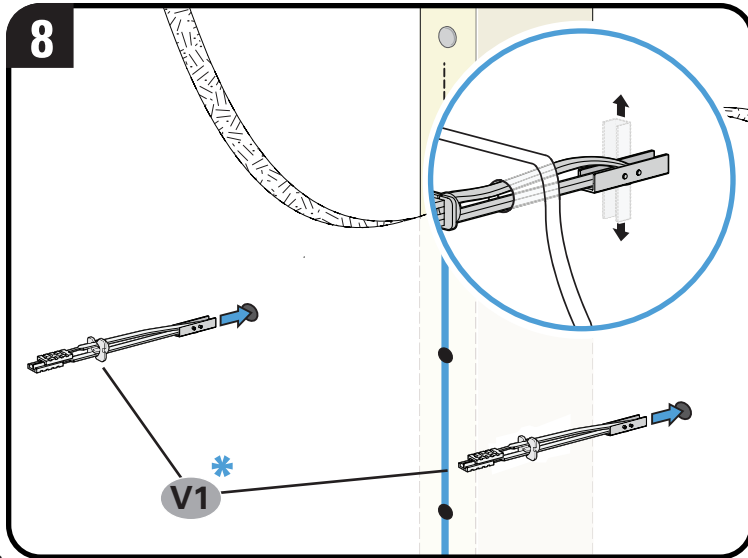
! IMPORTANT: Pilot holes must be drilled to a depth of 1 in. (25 mm).

7. Remove the wall plate template **06**.



8. Insert two anchors **V1** * into the outer top holes (into the drywall).
9. Pull to rotate the anchor **V1** * inside the drywall.

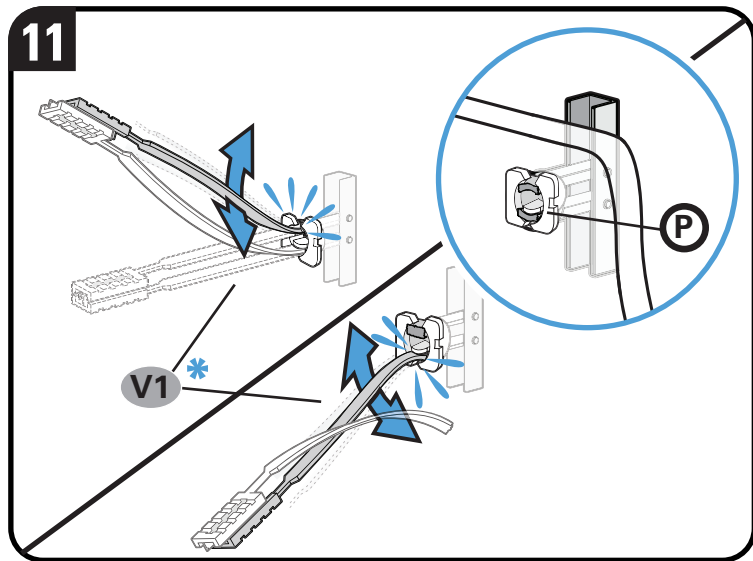
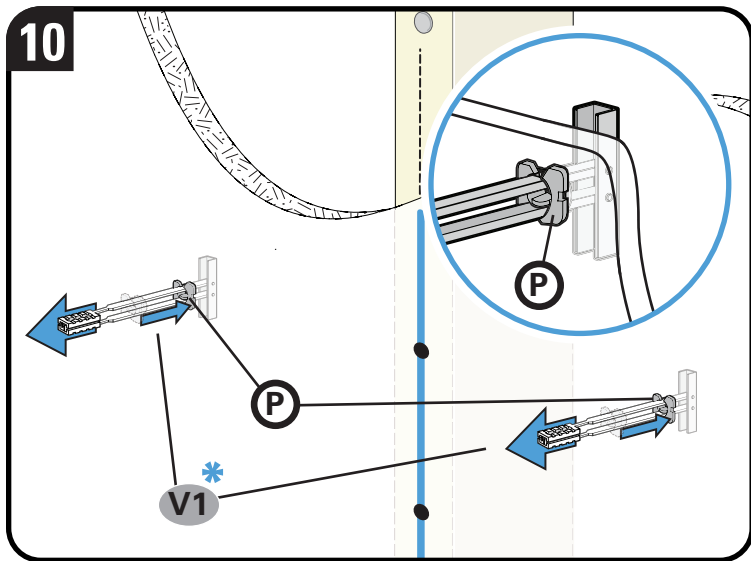
*** Single Stud Installation Kit VMTMK1 is not included**
Contact Customer Service at 1-800-359-5520 to have the additional hardware shipped directly to you.



10. Hold the end of the anchor **V1 ***, while sliding the cap **P** against the drywall.

11. Snap off the ends of the anchor **V1 *** to lock in place.

⚠ CAUTION: Be sure the cap **P** is seated against the drywall surface and the ends of the anchor do not extend beyond the cap **P** - cut if necessary.

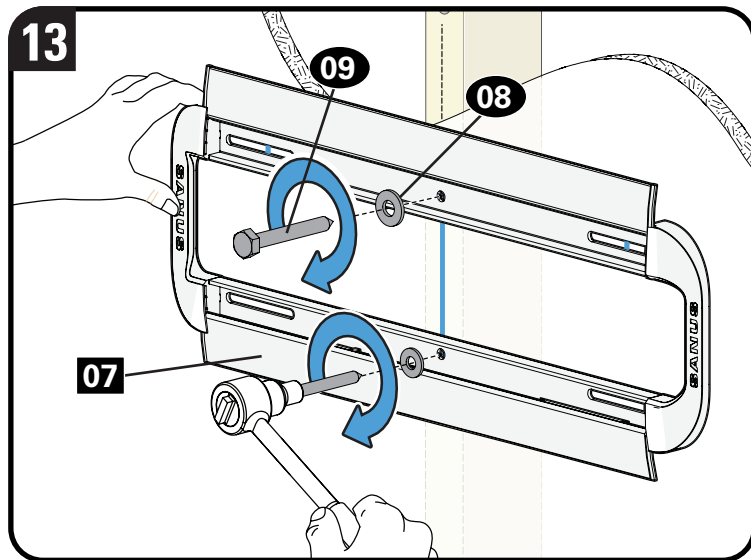
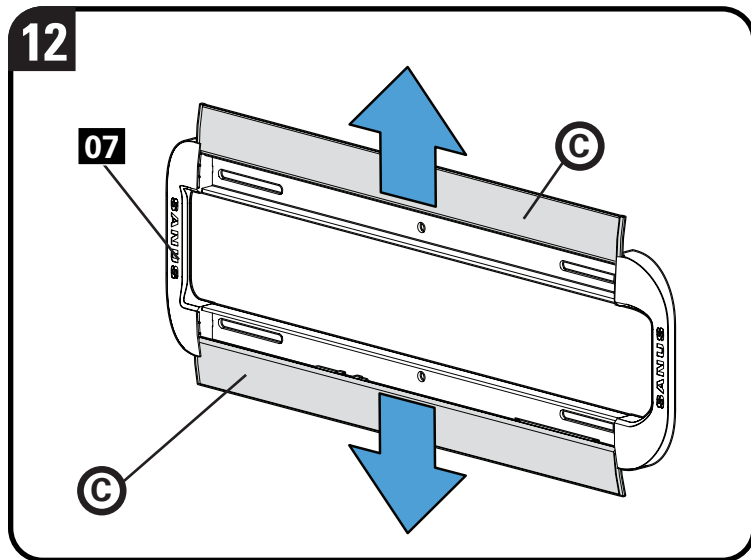


12. Slide the covers **C** open on the wall plate **07** to expose the mounting holes.

13. Install the middle two washers **08** and lag bolts **09** (into the stud), and firmly tighten until they are pulled flush against the wall plate **07**.

⚠ CAUTION: Avoid potential personal injury or property damage! Both lag bolts **09** MUST BE firmly tightened to prevent unwanted movement of the wall plate **07**.

⚠ CAUTION: Avoid potential personal injury or property damage! The middle two lag bolts MUST be installed into a wood stud – this product was not designed to be used in drywall alone.

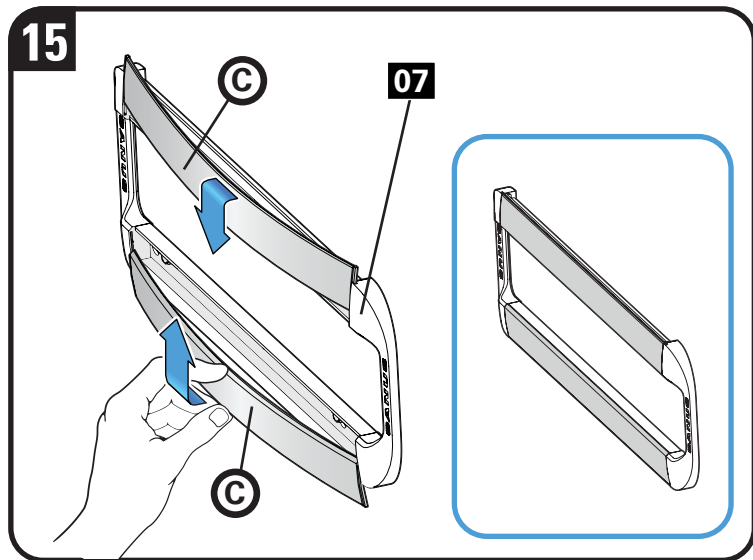
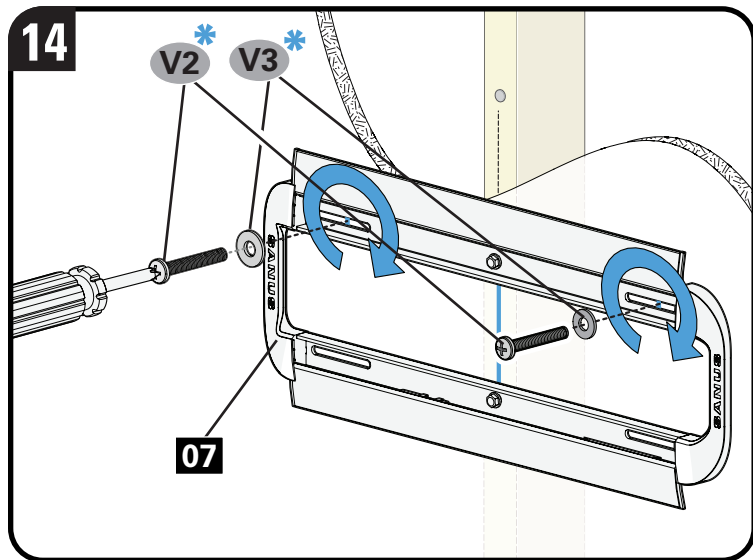


14. Install the top outer two bolts **V2 *** and washers **V3 *** (into the drywall anchors **V1 ***) and firmly tighten until the bolts are pulled flush against the wall plate **07**.

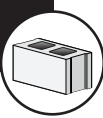
⚠ CAUTION: Avoid potential personal injury or property damage! Both bolts **V2 *** MUST BE firmly tightened to prevent unwanted movement of the wall plate **07**. Ensure the wall plate is securely fastened to the wall before continuing on to the next step.

15. Slide the covers **C** closed on wall plate **07**.

Go to STEP 3 on PAGE 27.



STEP 2C




Solid Concrete or Concrete Block Option

⚠ CAUTION: Avoid potential personal injuries and property damage!

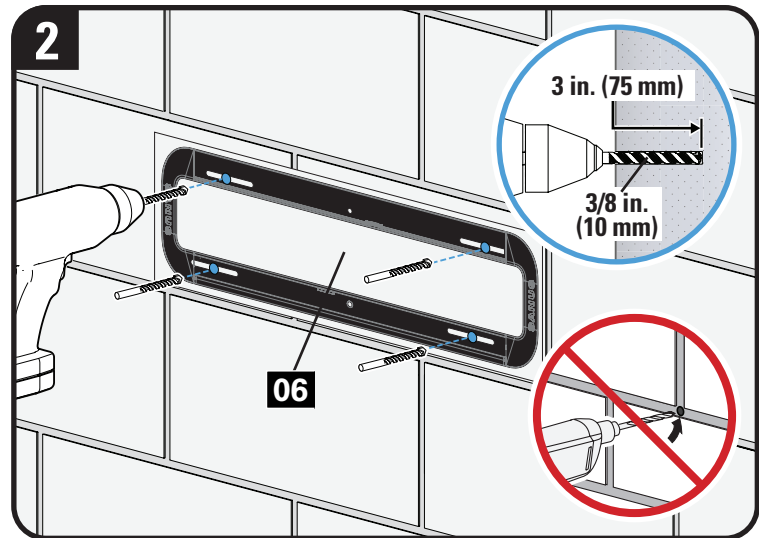
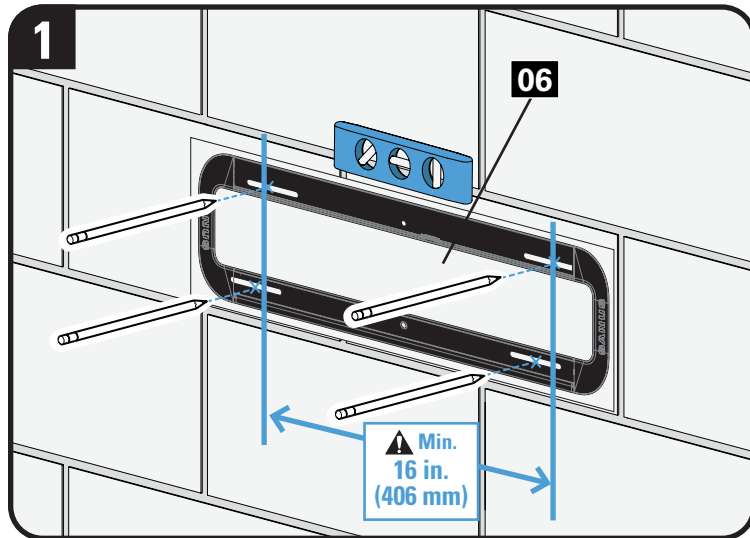
- Mount the wall plate **07** directly onto the concrete surface
- Minimum solid concrete thickness: 8 in. (203 mm)
- Minimum concrete block size: 8 x 8 x 16 in. (203 x 203 x 406 mm)
- Minimum horizontal space between fasteners: 16 in. (406 mm)

1. Position the wall plate template **06** on the wall at your desired height. Level the wall plate template and mark the hole locations.

 **NOTE:** For assistance in determining wall plate location, see Height Finder at sanus.com.

2. Drill four pilot holes using a 3/8 in. (10 mm) diameter drill bit.

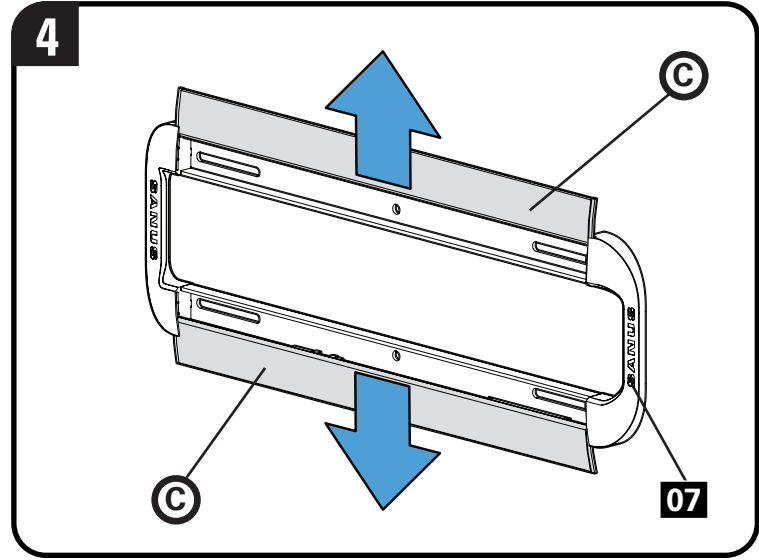
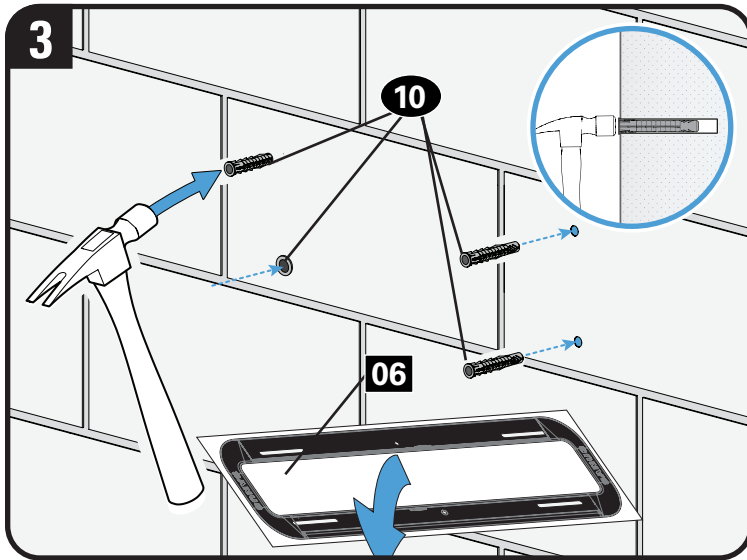
! IMPORTANT: Pilot holes must be drilled to a depth of 3 in. (75 mm). Never drill into the mortar between blocks.



3. Remove the wall plate template **06** and insert four anchors **10**.


⚠ CAUTION: Be sure the anchors **10** are seated flush with the concrete surface.

4. Slide the covers **C** open on the wall plate **07** to expose the mounting holes.



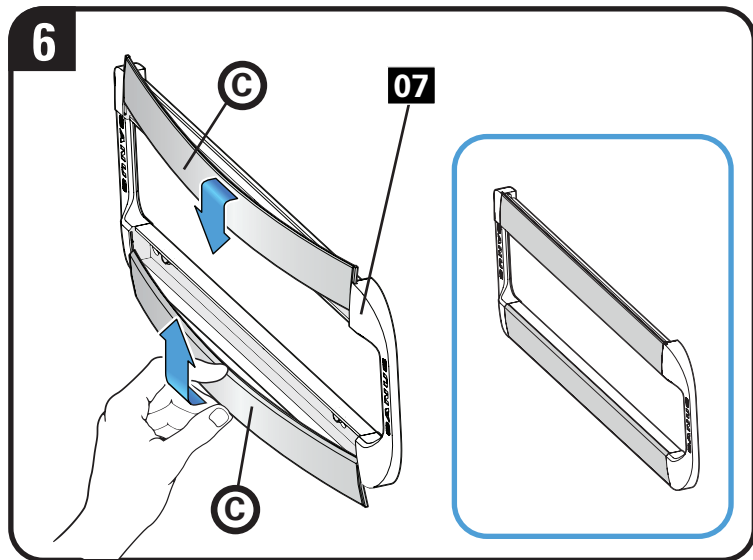
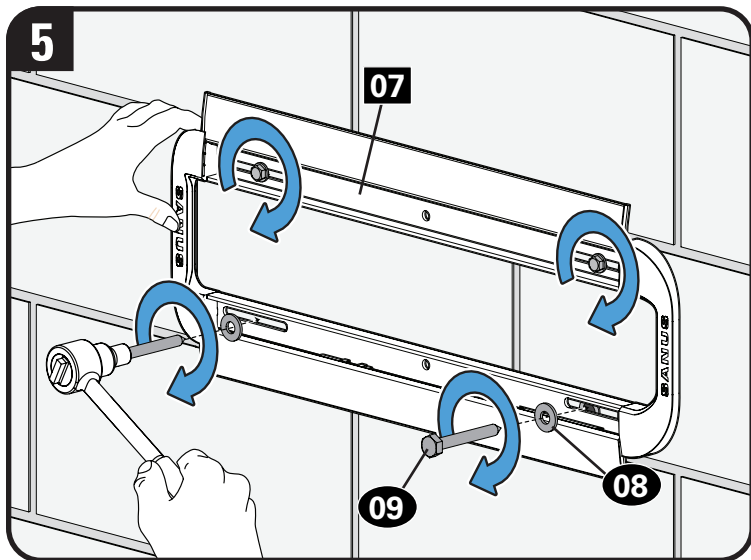
5. Install the wall plate **07** using four washers **08** and lag bolts **09**. Firmly tighten all four lag bolts **09** until they are pulled flush against the wall plate **07**.

 **NOTE:** Hold the wall plate **07** in place when tightening the first lag bolt **09** to keep the plate from shifting out of place.

 **CAUTION:** Avoid potential personal injury or property damage! All four lag bolts **09** MUST BE firmly tightened to prevent unwanted movement of the wall plate **07**. Ensure the wall plate is securely fastened to the wall **before** continuing on to the next step.

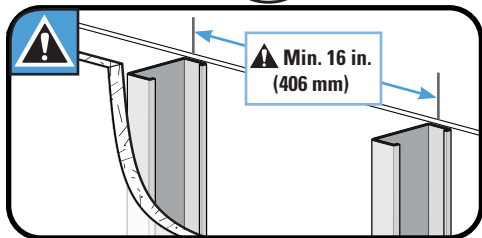
6. Slide the covers **C** closed on wall plate **07**.

Go to STEP 3 on PAGE 27.



STEP 2D

Steel Stud Option (Double and Single Stud Install)

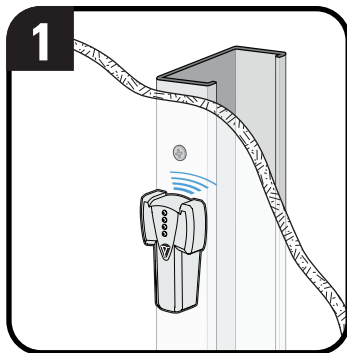
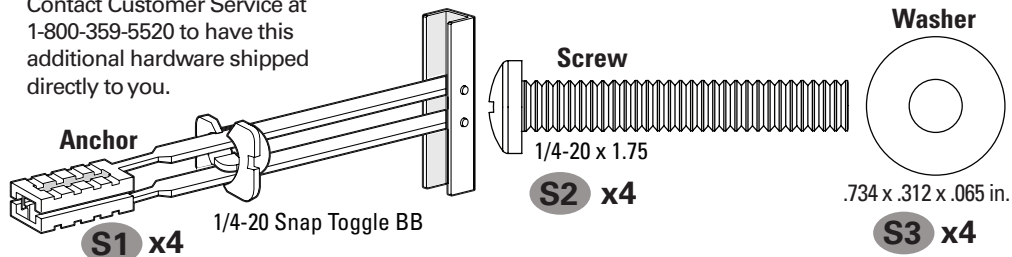


CAUTION: Avoid potential personal injuries and property damage!

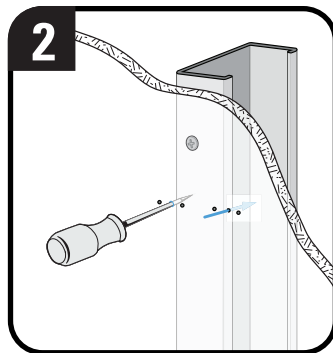
- Studs must be at least 2x4 / 25 ga.
- If back side of wall is unfinished, drywall must be installed to a minimum of one stud left and right of the stud(s) being used to install the mount.
- Drywall must be a minimum of 1/2 in. (13 mm) thick on each side of the studs, and a minimum clearance of 1 7/8 in. (48 mm) behind the wall is required.
- This product must be centered on the studs.
- Stud type and structural strength must conform to the North American Specification for the Design of Cold-Formed Steel Structural Members [362 S 125 18, C-Shape, S - Stud Section].
- Drywall must be secured to studs with screws 12 in. (304.8 mm) on center.

Steel Stud Anchor Kit [NOT INCLUDED]

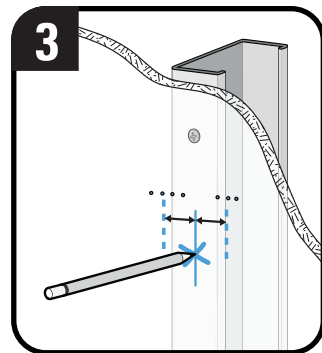
Contact Customer Service at 1-800-359-5520 to have this additional hardware shipped directly to you.



1. Locate the studs using a stud finder.



2. Find the edges of the studs using an awl or small drill bit.



3. Mark the centers of the studs with a pencil.

4. Place wall plate template **06** at your desired height and position over your stud center line(s). Level wall plate template **06** and tape in place.

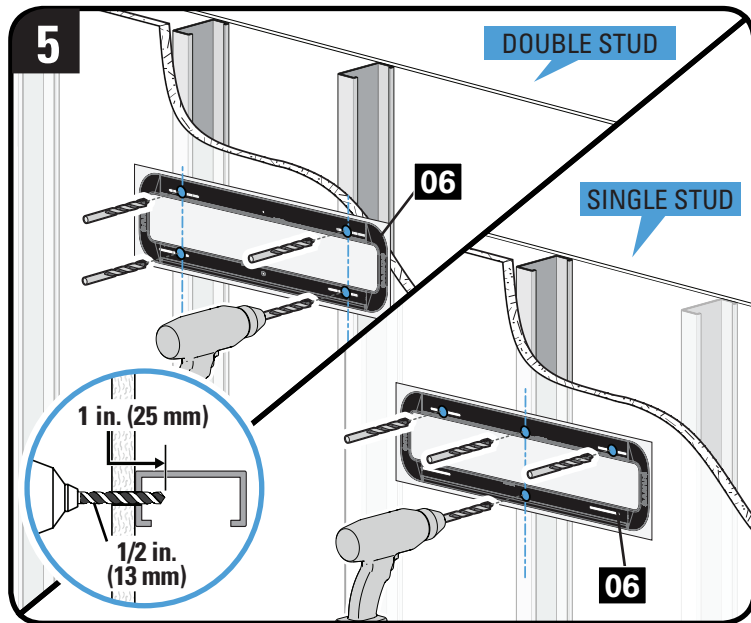
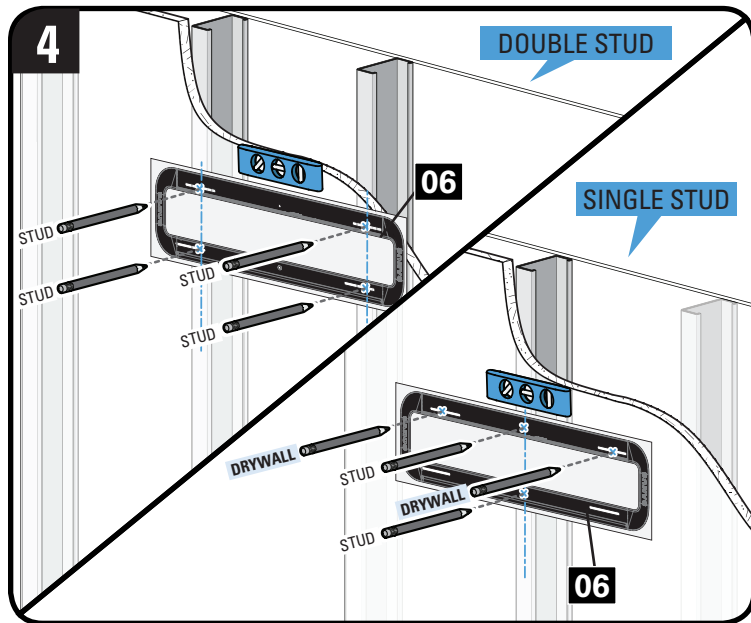
⚠ CAUTION: Avoid potential personal injury or property damage! SINGLE STUD installs MUST use the center holes in the stud as shown.

📄 NOTE: For assistance in determining wall plate location, see HeightFinder at sanus.com.

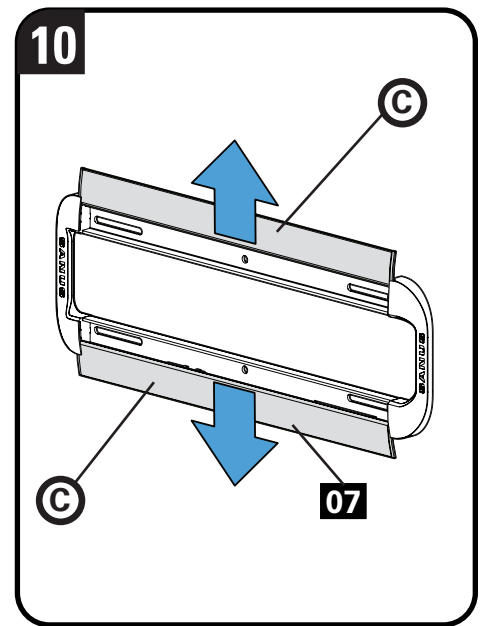
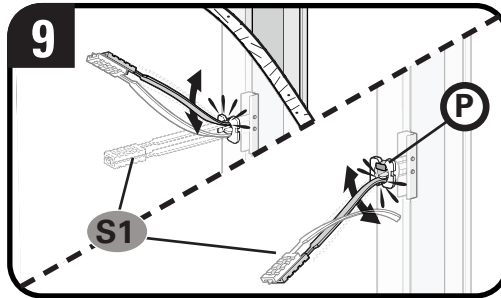
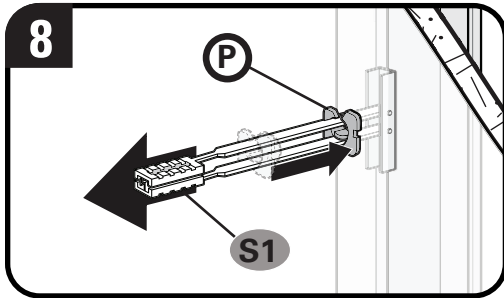
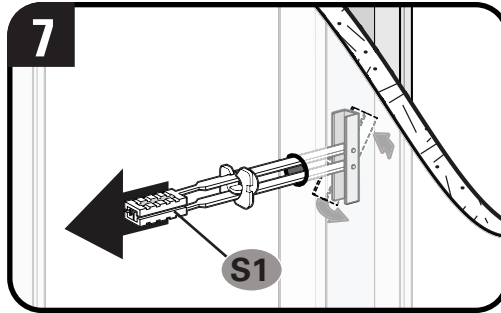
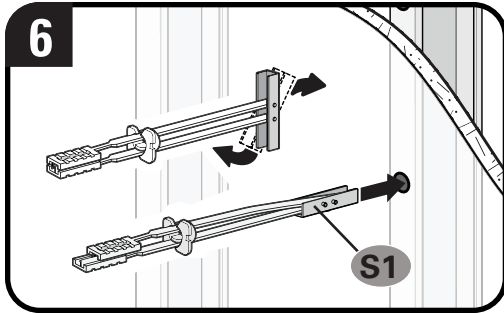
! IMPORTANT: Be sure you mark and drill into the center of the stud.

5. Drill the four pilot holes using a 1/2 in. (13 mm) diameter drill bit in the locations illustrated for double stud or single stud installs.

! IMPORTANT: Pilot holes must be drilled to a depth of 1 in. (25 mm).



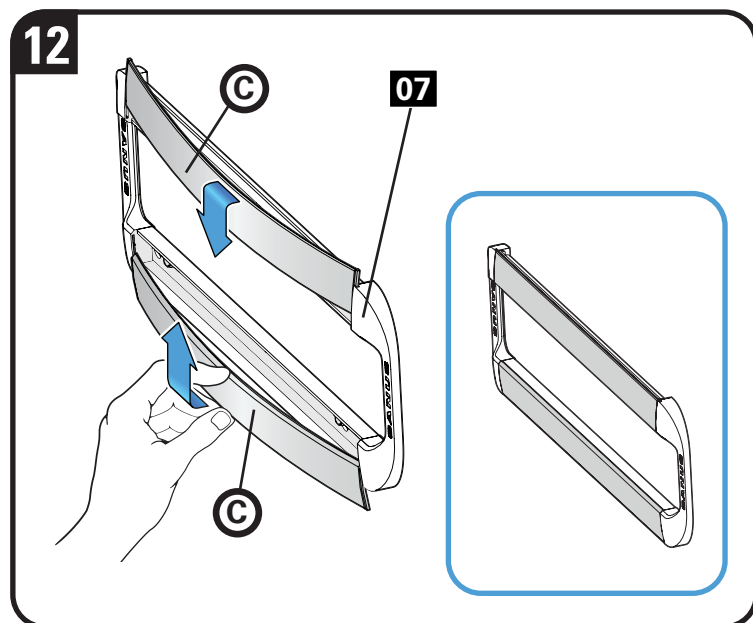
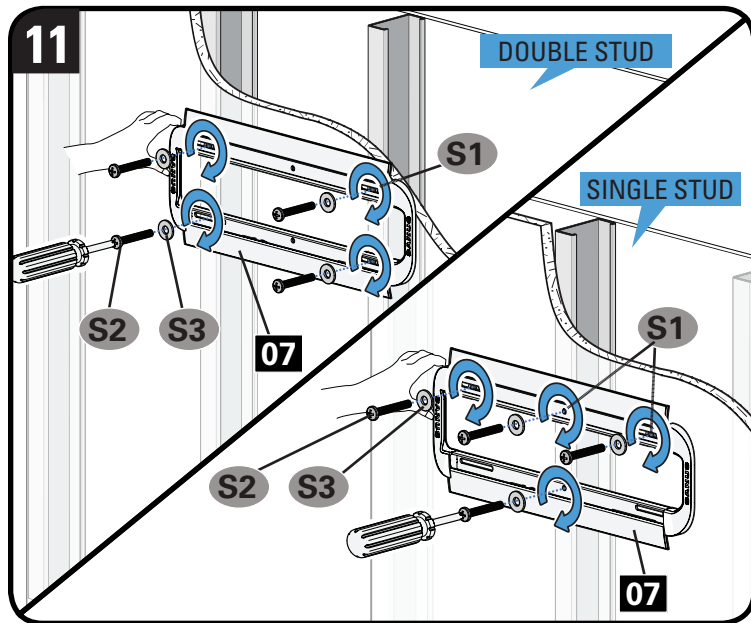
- Remove template **06** and insert the four anchors **S1** * into the drilled holes (DOUBLE STUD installs = four in studs. SINGLE STUD installs = two in studs / two in dryway).
 - Pull to rotate the anchor **S1** * inside the wall.
 - Hold the end of the anchor **S1** *, while sliding the cap **P** against the drywall.
 - Snap off the ends of the anchor **S1** * to lock in place.
- ⚠ CAUTION:** Be sure the cap **P** is seated against the drywall surface and the ends of the anchor do not extend beyond the cap **P** - cut if necessary.
- Slide the covers **C** open on the wall plate **07** to expose the mounting holes.



11. Install the four screws **S2** * and washers **S3** *(into the anchors **S1** *) and firmly tighten until the washers are pulled flush against the wall plate **07**.

⚠ CAUTION: Avoid potential personal injury or property damage! All four screws **S2** * MUST BE firmly tightened to prevent unwanted movement of the wall plate **07**. Ensure the wall plate is securely fastened to the wall before continuing on to the next step.

12. Slide the covers **C** closed on wall plate **07**.



STEP 3

Attach TV to Wall Plate



HEAVY! You may need assistance with this step.

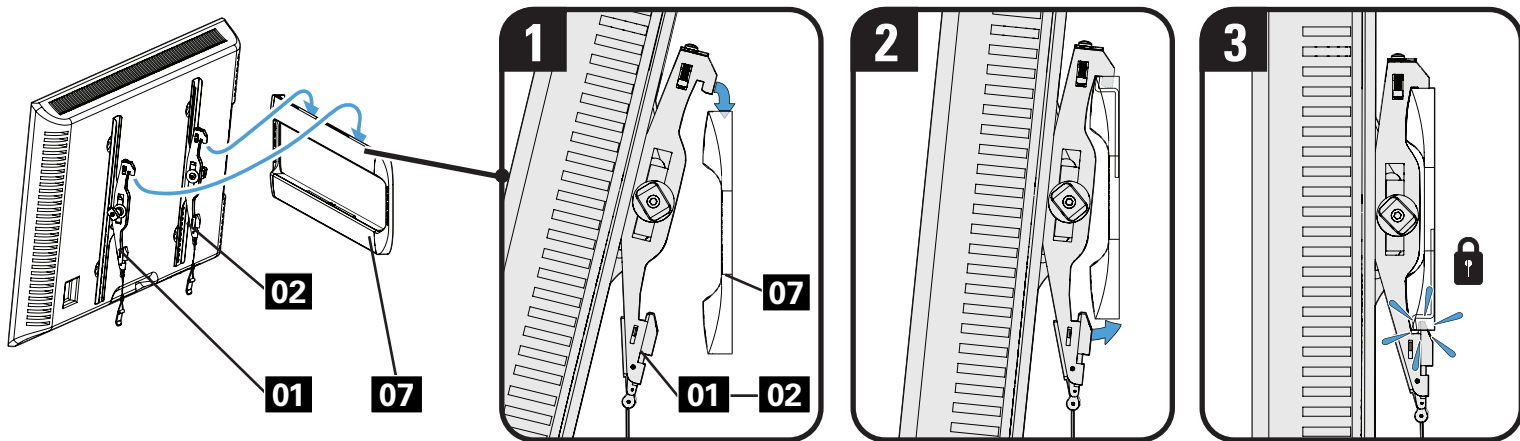
1. Hook the TV/brackets **01** and **02** onto the wall plate **07**.

 **NOTE:** The TV/brackets **01** and **02** can be slid anywhere along the wall plate **07** for optimal positioning of your TV.

2. Rest the TV into place against the wall.

3. Press the bottom of the TV against the wall plate **07** until the latches lock the TV in place.

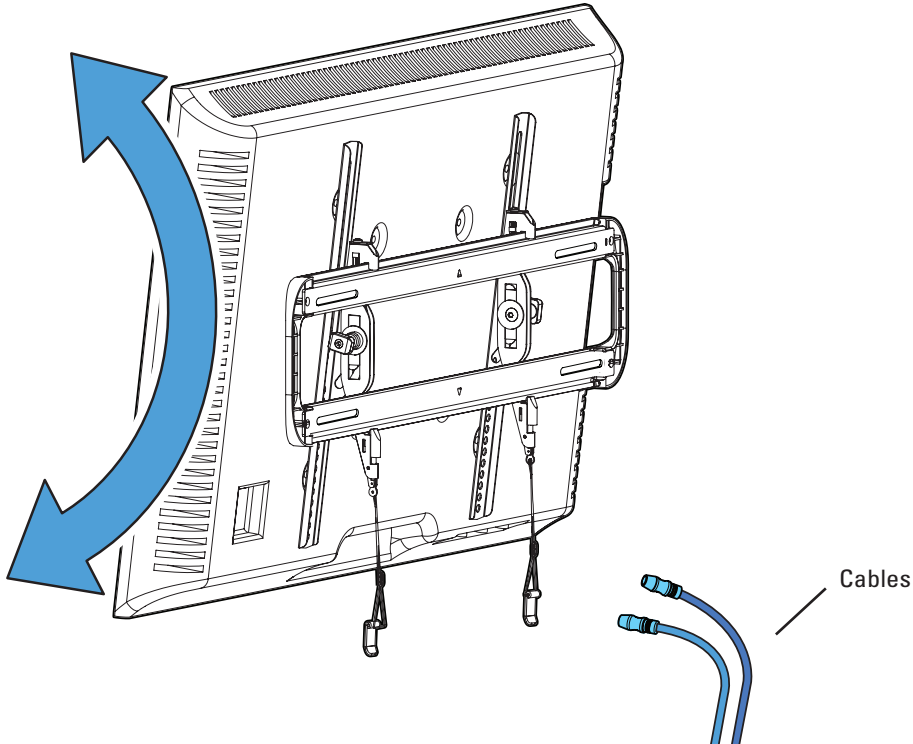
⚠ CAUTION: Avoid potential personal injury or property damage! Always make sure your TV brackets **01** and **02** are in the locked position so the TV is securely fastened to the wall plate **07**.



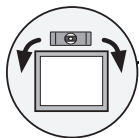
Manage Cables

Tilt the TV up or down to gain access to the back of the TV.

Attach your cables, then adjust the TV as desired.

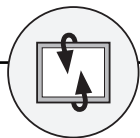
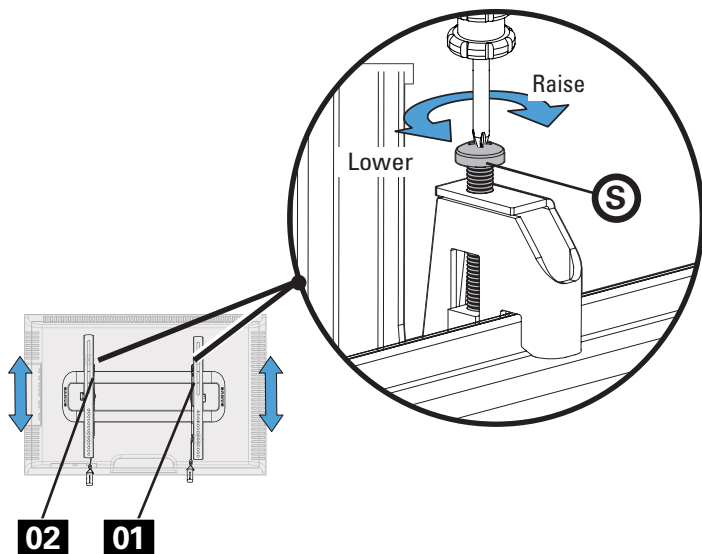


Adjustments



LEVEL

To level your TV, turn the level adjustment screw **(S)** on the top of either TV bracket **01** or **02** to raise or lower that respective side of the TV.

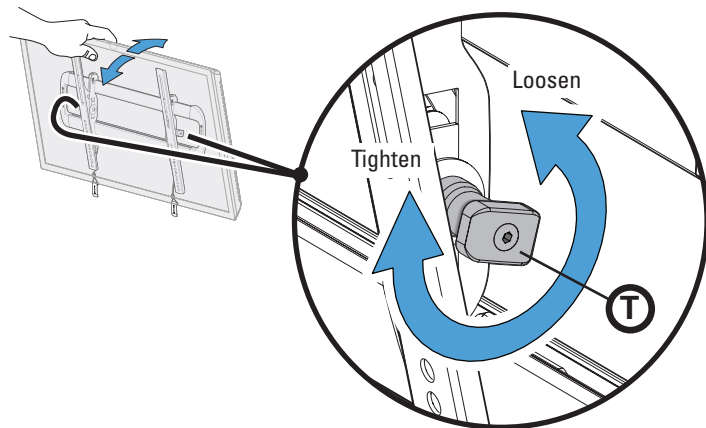


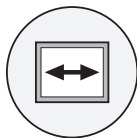
Tilt

Your TV should adjust easily when moved, then stay in place.

Adjust the tilt tension knob **(T)** if your TV naturally tilts up or down.

NOTE: If you do not intend to adjust the tilt for different viewing locations, you can tighten the tilt tension knobs **(T)** to prevent unwanted movement.



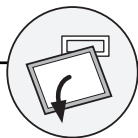
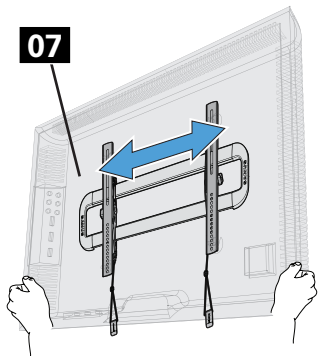


TV LATERAL SHIFT



HEAVY! You may need assistance with this step.

Slide the TV left or right along the wall plate **07** to reposition.



REMOVING THE TV



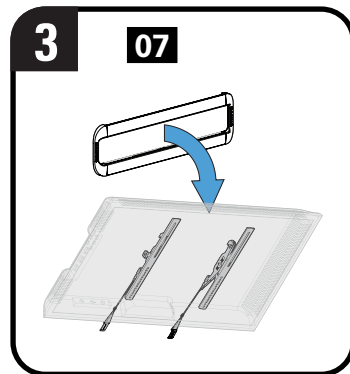
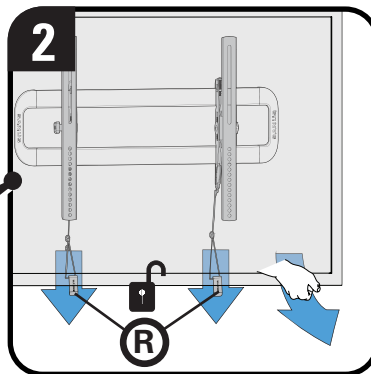
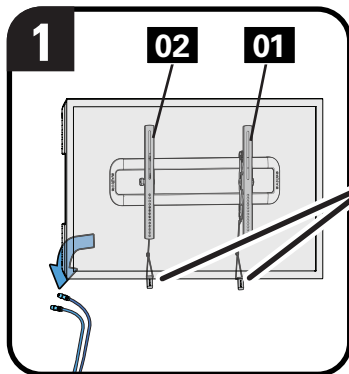
HEAVY! You may need assistance with this step.

1. Disconnect all cables from the TV.
2. To unlock the TV from the wall plate: Pull down and hold both release cords **(R)** while gently pulling the bottom of the TV away from the wall.

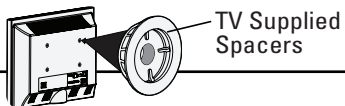
⚠ CAUTION: Avoid potential personal injury or property damage! To prevent breaking the locking latch: always pull and hold the release cords **(R)** down while pulling the TV away from the wall.

3. Lift the TV up and off of wall plate **07**.

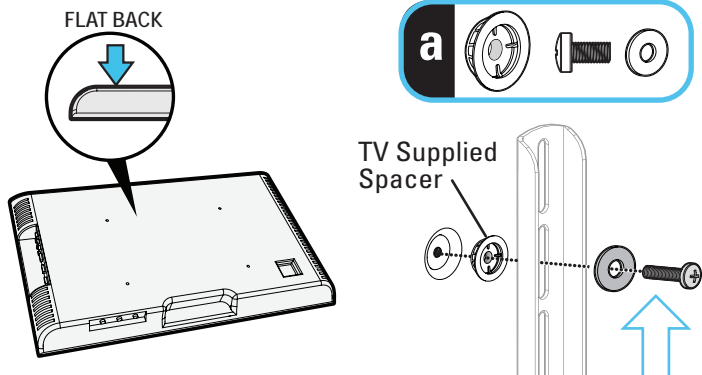
📄 NOTE: To rehang the TV, follow the procedures in STEP 3 on PAGE 27.



TV supplied spacers

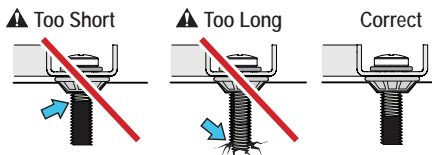


a: Use your TV supplied spacer for flat back TVs (AND you want your TV closer to the wall).



CAUTION: Avoid potential injury or property damage! Use the correct screw length for adequate thread engagement.

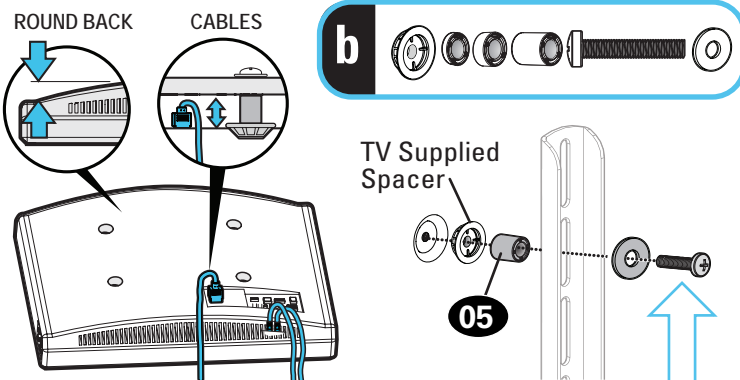
- Too short will not hold the TV.
- Too long will damage the TV.



If you are uncertain about your hardware selection, contact Customer Service at 1-800-359-5520.

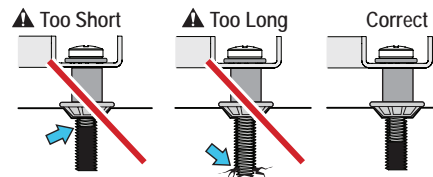
b: Use your TV supplied spacer and spacer **05** for:

- Round (irregular) back TVs
- Extra space needed for cables



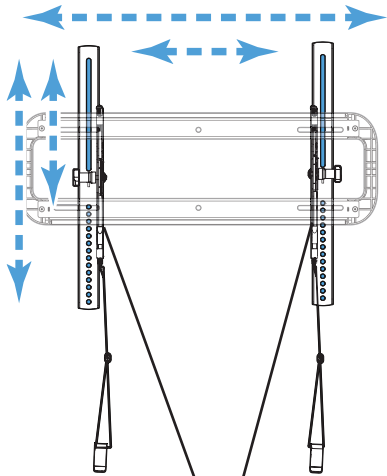
CAUTION: Avoid potential injury or property damage! Use the correct screw length for adequate thread engagement.

- Too short will not hold the TV.
- Too long will damage the TV.



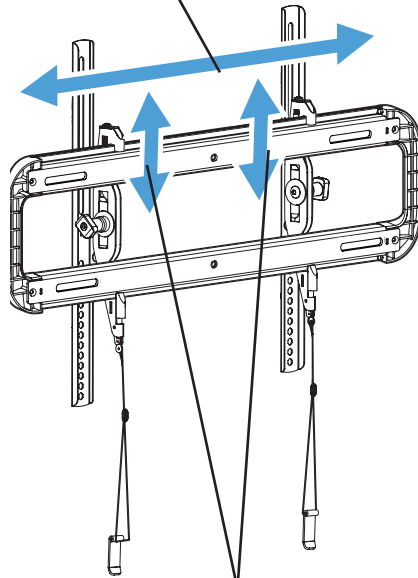
Features

TV bracket expands to fit TV hole patterns from 200 x 200 mm up to 400 x 400 mm



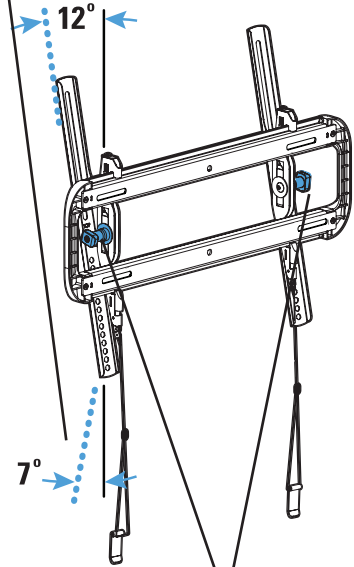
Locking mechanisms for added security

Brackets adjust side to side within the wall plate for optimal positioning



Level adjustments create a worry-free installation

TV tilts up or down for the perfect viewing angle

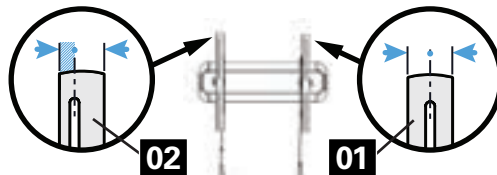
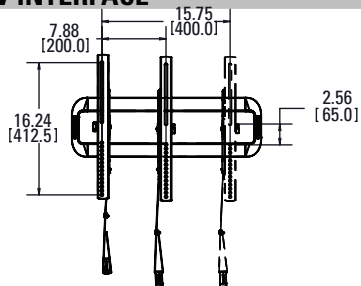


Adjustment knobs allow fingertip control of TV or to restrict TV movement

Dimensions

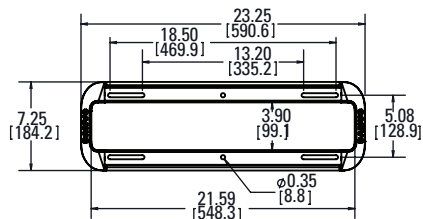
in. [mm]

TV INTERFACE



NOTE: The offset hole pattern on right TV bracket **02** is designed to accommodate a better range of TV hole patterns, while allowing proper engagement with the wall plate.

WALL PLATE



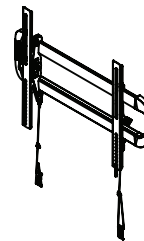
TOP VIEW - EXTENDED



TOP VIEW - RETRACTED



3-D



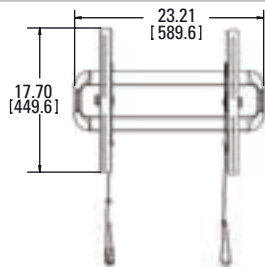
SIDE VIEW - EXTENDED



SIDE VIEW - RETRACTED



FULLY ASSEMBLED MOUNT



Antes de comenzar, verifiquemos que este soporte sea el ideal para sus necesidades.

1 ¿Su televisor pesa más de 34 kg (75 lbs), incluidos los accesorios?



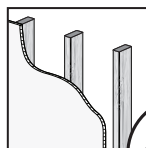
No — ¡Perfecto!

Sí — Este soporte NO es compatible. Visite MountFinder.Sanus.com o llame al 1-800-359-5520 para encontrar un soporte compatible.

2 ¿De qué está hecha su pared?

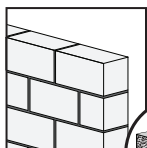
⚠ PRECAUCIÓN:

NO lo instale en tabiques únicamente de yeso



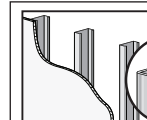
¿Tabiques de yeso con montantes de madera?

¡Perfecto!



¿Hormigón sólido o bloques de cemento?

¡Perfecto!



¿Tabiques de yeso con montantes de acero?

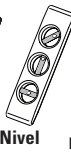
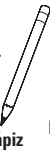


¿No está seguro?

Se requiere el kit para montantes de acero (no está incluido)

Llame al 1-800-359-5520

3 ¿Tiene todas las herramientas necesarias?



Paredes con montantes de madera



Paredes con hormigón



Paredes con montantes de acero



OPCIONAL
Instalación de un solo montante



4 ¿Listo para comenzar?

Lea estas instrucciones en su totalidad para estar seguro de sentirse cómodo con este fácil proceso de instalación. Consulte también el manual del usuario de su televisor para ver si existe algún requisito especial para instalar su televisor en la pared. Si no entiende las instrucciones o si tiene dudas acerca de la seguridad de la instalación, del ensamblado o del uso del producto, póngase en contacto con el servicio de atención al cliente al 1-800-359-5520.

⚠ PRECAUCIÓN: Evite posibles lesiones personales y daños materiales.

- Este producto incluye instrucciones y elementos de sujeción para su instalación en paredes con montantes de madera, en superficies de hormigón y sobre bloques de cemento. NO lo instale en tabiques únicamente de yeso. Para obtener información sobre cómo usar este producto en paredes con montantes de acero, póngase en contacto con el servicio de atención al cliente y pregunte por el kit de montaje en montantes de acero.
- La pared debe soportar cinco veces el peso del televisor y del soporte juntos.
- No utilice este producto para ningún otro propósito que no sea el explícitamente especificado por el fabricante.
- El fabricante no se responsabiliza por ningún daño o lesión resultante del montaje incorrecto o de uso indebido.

PASO 1**Colocar las placas de sujeción en el televisor****Piezas y elementos de sujeción para el PASO 1**

⚠ ADVERTENCIA: Este producto contiene piezas pequeñas que, si fuesen tragadas, podrían producir asfixia.

Antes de iniciar el ensamblaje, compruebe que todas las piezas estén incluidas y en buenas condiciones. Si faltan piezas o alguna está dañada, no devuelva el artículo al distribuidor; póngase en contacto con el servicio de atención al cliente. Nunca utilice piezas deterioradas.

📄 NOTA: No todos los accesorios incluidos deberán utilizarse.

1,1 Seleccionar los tornillos del televisor

Enrosque manualmente los tornillos en los encastres roscados del dorso del televisor a fin de determinar qué diámetro de tornillos (M6 o M8) utilizar.

⚠ PRECAUCIÓN: Verifique que la combinación de tornillo y separador enrosque correctamente en su televisor.

Si el tornillo es demasiado corto, el televisor no se sostendrá; si es demasiado largo, dañará el televisor.

1,2 Separadores

Los separadores y tornillos se proporcionan para instalar la placa de sujeción de su televisor.

Determine cuál es su preferencia para la configuración de los separadores al fijar la placa de sujeción de su televisor.

Instale los separadores **05** encima de la placa de sujeción de su televisor, de modo que la placa de sujeción quede cerca de la superficie del televisor para los paneles planos posteriores.

Instale los separadores **05** debajo de la placa de sujeción del televisor para crear más espacio para los televisores con forma irregular en la parte posterior o cables extensos.

1,3 Fijar las placas de sujeción del televisor

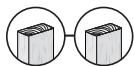
Centre las placas de sujeción **01** y **02** sobre el patrón de orificios del televisor, como se muestra. Asegúrese de que las placas de sujeción estén niveladas.

📄 NOTA: Las perillas de tensión de inclinación **T** de las placas de sujeción del televisor **01** y **02** deben orientarse hacia los bordes externos. Coloque la combinación de separador, tornillo y arandela que seleccionó para su televisor.

ⓘ IMPORTANTE: Para facilitar el acceso, las correas deben estar niveladas con la parte inferior del televisor.

⚠ PRECAUCIÓN: Evite posibles lesiones físicas y daños materiales. NO utilice un destornillador eléctrico para este paso. Apriete los tornillos sólo hasta el soporte de la TV se fija en su lugar.

Se ilustran las configuraciones estándar. Si desea información sobre aplicaciones especiales o si tiene dudas sobre la elección de los elementos de fijación, contáctese con el servicio de atención al cliente. 1-800-359-5520.



Para instalaciones sobre montantes de madera (doble montante), siga el PASO 2A en la PÁGINA 9



Para instalaciones sobre montantes de madera (un solo montante), siga el PASO 2B en la PÁGINA 13



Para instalaciones en paredes de hormigón, siga el PASO 2C en la PÁGINA 20



Para instalaciones sobre montantes de acero, siga el PASO 2D en la PÁGINA 23

Piezas y elementos de sujeción para el PASO 2

⚠ ADVERTENCIA: Este producto contiene piezas pequeñas que, si fuesen tragadas, podrían producir asfixia. Antes de iniciar el ensamblaje, compruebe que todas las piezas estén incluidas y en buenas condiciones. Si faltan piezas o alguna está dañada, no devuelva el artículo al distribuidor; póngase en contacto con el servicio de atención al cliente. Nunca utilice piezas deterioradas.

📄 NOTA: No todos los accesorios incluidos deberán utilizarse.

SOLO para instalaciones en hormigón

⚠ PRECAUCIÓN: No usar en placas de yeso o montantes de madera

10 x4




LX10 x 60R

PASO 2A Opción para montantes de madera (Instalación de doble montante)

⚠ PRECAUCIÓN: Evite lesiones y daños materiales.


- El yeso que recubre la pared no debe exceder los 16 mm (5/8").
- Tamaño mínimo del montante de madera: común 51 mm x 102 mm (2" x 4") (nominal 38 mm x 89 mm (1 1/2" x 3 1/2")).
- Espacio horizontal mínimo entre los elementos de sujeción: 406 mm (16 pulgadas).
- Se deben verificar las partes centrales de los pernos, no todas las paredes tienen una separación convencional de 406 mm (16").

1. Localice un clavo / tornillo en los montantes con un buscador de montantes.
2. Encuentra los bordes de los montantes con un punzón.
3. Marque los centros de los postes con un lápiz.
4. Coloque la plantilla de placa mural **06** a la altura que desee y posicione los orificios en forma de ranura sobre las líneas centrales del montante. Nivele la plantilla de la placa mural **06** y fíjela con cinta adhesiva en el lugar.

 **NOTA:** Si necesita ayuda para determinar la ubicación de la placa mural, utilice la herramienta HeightFinder disponible en sanus.com.

! **IMPORTANTE:** Asegúrese de marcar y perforar el centro del montante.
5. Haga los cuatro orificios guía con una mecha de 5,5 mm (7/32") de diámetro.

! **IMPORTANTE:** Los orificios guía deben realizarse hasta una profundidad de 75 mm (3").
6. Retire la plantilla de la placa mural **06**.
7. Deslice las cubiertas **C** abiertas sobre la placa mural **07** para que los orificios de montaje queden expuestos.
8. Instale la placa mural **07** usando cuatro arandelas **08** y tornillos tirafondo **09**. Apriete con firmeza los cuatro pernos tirafondos **09** hasta que queden encajados en la placa de pared **07**.

 **NOTA:** Sostenga la placa mural **07** en su lugar mientras ajusta el primer perno **09** para evitar que se mueva fuera de su sitio.

! **PRECAUCIÓN:** Evite posibles lesiones personales y daños materiales. Los cuatro tornillos tirafondo **09** DEBEN ESTAR apretados firmemente para evitar que la placa mural se desplace **07**. Asegúrese de que la placa mural está fijada con seguridad a la pared antes de proceder con el siguiente paso.
9. Deslice las cubiertas **C** cerradas sobre la placa mural **07**.

Continúe con el PASO 3 en la PÁGINA 27.

PASO 2B Opción para montantes de madera (Instalación de un solo montante)

*** El Kit de instalación de un solo montante VMTMK1 no está incluido** Comuníquese con el servicio de atención al cliente al 1-888-333-9952 para solicitar que le enviemos los elementos de sujeción adicionales.

! **PRECAUCIÓN:** Evite lesiones y daños materiales.

- El yeso que recubre la pared no debe exceder los 16 mm (5/8").
- Tamaño mínimo del montante de madera: común 51 mm x 102 mm (2" x 4") (nominal 38 mm x 89 mm (1 1/2" x 3 1/2")).
- Se debe verificar la parte central.
- Los dos pernos tirafondo intermedios DEBEN ser instalados en el montante - este producto no fue diseñado para ser utilizado en el tabique de yeso solo.

1. Localice un clavo / tornillo en los montantes con un buscador de montantes.
2. Encuentra los bordes de los montantes con un punzón.
3. Marque los centros de los postes con un lápiz.
4. Coloque la plantilla de placa mural **06** a la altura que desee y posicione los orificios intermedios sobre las líneas centrales del montante. Nivele la plantilla de la placa mural **06** y fíjela con cinta adhesiva en el lugar.
⚠ PRECAUCIÓN: Evite lesiones y daños materiales. Usted debe instalar utilizando los agujeros centrales en el montante de madera como se muestra.
📄 NOTA: Si necesita ayuda para determinar la ubicación de la placa mural, utilice la herramienta HeightFinder disponible en sanus.com.
❗ IMPORTANTE: Asegúrese de marcar y perforar el centro del montante.
5. Haga los dos orificios guía intermedios (en el montante) con una mecha de 5,5 mm (7/32") de diámetro.
❗ IMPORTANTE: Los orificios guía deben realizarse hasta una profundidad de 75 mm (3").
6. Haga los dos orificios guía superiores externos (en el tabique de yeso) con una mecha de 13 mm (1/2") de diámetro.
❗ IMPORTANTE: Los orificios guía deben realizarse hasta una profundidad de 25 mm (1").
7. Retire la plantilla de la placa mural **06**.
8. Inserte dos anclajes **V1** * en los orificios superiores externos (en el tabique de yeso).
9. Tire para girar los anclajes **V1** * dentro en el tabique de yeso.
10. Sostenga el extremo del anclaje **V1** *, mientras desliza la tapa **P** contra el tabique de yeso.
11. Rompa los extremos del anclaje **V1** * para que encaje en su lugar.
⚠ PRECAUCIÓN: Asegúrese de que la tapa **P** está asentada contra la superficie el tabique de yeso y los extremos del anclaje no se extienden más allá de la tapa **P** - cortar si es necesario.
12. Deslice las cubiertas **C** abiertas sobre la placa mural **07** para que los orificios de montaje queden expuestos.
13. Coloque los dos pernos arandelas **08** y tirafondo intermedios **09** (en el montante) y apriete firmemente hasta que estén nivelados en la placa mural **07**.
⚠ PRECAUCIÓN: Evite el riesgo de lesiones y daños materiales. Los dos pernos tirafondo intermedios **DEBEN** ser instalados en el montante - este producto no fue diseñado para ser utilizado en el tabique de yeso solo.
⚠ PRECAUCIÓN: Evite posibles lesiones personales y daños materiales. Ambos tornillos tirafondo **09** DEBEN ESTAR apretados firmemente para evitar que la placa mural se desplace **07**.
14. Apriete firmemente los dos pernos superiores exteriores **V2** * y arandelas **V3** * (en el anclajes **V1** *) hasta que estén nivelados en la placa mural **07**.
⚠ PRECAUCIÓN: Evite posibles lesiones personales y daños materiales. Ambos tornillos tirafondo **V2** * DEBEN ESTAR apretados firmemente para evitar que la placa mural se desplace **07**. Asegúrese de que la placa mural está fijada con seguridad a la pared antes de proceder con el siguiente paso.
15. Deslice las cubiertas **C** cerradas sobre la placa mural **07**.

Continúe con el PASO 3 en la PÁGINA 27.

PASO 2C Opción para hormigón sólido o bloques de cemento

⚠ PRECAUCIÓN: Evite lesiones y daños materiales.

- Instale la placa mural **07** directamente sobre la superficie de hormigón.
- Espesor mínimo del hormigón: 203 mm (8").
- Tamaño mínimo del bloque de cemento: 203 x 203 x 406 mm (8" x 8" x 16").
- Espacio horizontal mínimo entre los elementos de sujeción: 406 mm (16 pulgadas).

1. Coloque la plantilla de la placa mural **06** en la pared a la altura que desee. Nivele la plantilla de la placa mural y marque la ubicación de los orificios.

 **NOTA:** Si necesita ayuda para determinar la ubicación de la placa mural, utilice la herramienta HeightFinder disponible en sanus.com.

2. Haga los cuatro orificios guía con una mecha de 10 mm (3/8") de diámetro.


! IMPORTANTE: Los orificios guía deben realizarse hasta una profundidad de 75 mm (3"). Nunca perfora el cemento que une los bloques.

3. Retire la plantilla de la placa mural **06** e inserte cuatro anclajes **10**.

⚠ PRECAUCIÓN: Cerciórese de que los anclajes **10** queden nivelados respecto de la superficie de hormigón.

4. Deslice las cubiertas **C** abiertas sobre la placa mural **07** para que los orificios de montaje queden expuestos.

5. Instale la placa mural **07** usando cuatro arandelas **08** y tornillos tirafondo **09**. Apriete con firmeza los cuatro pernos tirafondos **09** hasta que queden encajados en la placa de pared **07**.

 **NOTA:** Sostenga la placa mural **07** en su lugar mientras ajusta el primer perno **09** para evitar que se mueva fuera de su sitio.

⚠ PRECAUCIÓN: Evite posibles lesiones personales y daños materiales. Los cuatro tornillos tirafondo **09** DEBEN ESTAR apretados firmemente para evitar que la placa mural se desplace **07**. Asegúrese de que la placa mural está fijada con seguridad a la pared antes de proceder con el siguiente paso.

6. Deslice las cubiertas **C** cerradas sobre la placa mural **07**.

Continúe con el PASO 3 en la PÁGINA 27.

PASO 2D Opción para montantes de acero

⚠ PRECAUCIÓN: Evite posibles lesiones personales y daños materiales.

- Las vigas deben ser al menos de 2x4" / calibre 25.
- Si la parte posterior de la pared no presenta un acabado, se debe aplicar mampostería al menos en una de las vigas a la izquierda y a la derecha que se empleen para instalar el soporte.
- La mampostería debe tener un espesor mínimo de 13 mm en cada lado de las vigas y una holgura mínima de 48 mm por detrás de la pared.
- Este producto debe centrarse en las vigas.
- El tipo de viga y la resistencia estructural deben ajustarse a la Normativa norteamericana para el diseño de componentes estructurales de acero forjado en frío. [Sección 362 S 125 18, Forma en C, Viga S]
- La mampostería se debe fijar con tornillos a 30,5 cm del centro de las vigas.

El Kit de instalación de un solo montante no está incluido. Comuníquese con el servicio de atención al cliente al 1-800-359-5520 para solicitar que le enviemos los elementos de sujeción adicionales.

1. Localice un clavo / tornillo en los montantes con un buscador de montantes.
2. Encuentra los bordes de los montantes con un punzón.
3. Marque los centros de los postes con un lápiz.
4. Coloque la plantilla de placa mural **06** a la altura que desee y posicione los orificios intermedios sobre las líneas centrales del montante. Nivele la plantilla de la placa mural **06** y fíjela con cinta adhesiva en el lugar.

⚠ PRECAUCIÓN: Evite lesiones y daños materiales. Usted debe instalar utilizando los agujeros centrales en el montante de acero como se muestra.

📄 NOTA: Si necesita ayuda para determinar la ubicación de la placa mural, utilice la herramienta HeightFinder disponible en sanus.com.

❗ IMPORTANTE: Asegúrese de marcar y perforar el centro del montante.
5. Haga los dos orificios guía intermedios (en el montante) con una mecha de 13 mm (1/2") de diámetro.

❗ IMPORTANTE: Los orificios guía deben realizarse hasta una profundidad de 25 mm (1").
6. Retire la plantilla de la placa mural **06** y inserte cuatro anclajes **S1** * en los orificios superiores externos (en el tabique de yeso).

7. Tire para girar los anclajes **S1 *** dentro en el tabique.
8. Sostenga el extremo del anclaje **S1 ***, mientras desliza la tapa **P** contra el tabique de yeso.
9. Rompa los extremos del anclaje **S1 *** para que encaje en su lugar.
▲ PRECAUCIÓN: Asegúrese de que la tapa **P** está asentada contra la superficie el tabique de yeso y los extremos del anclaje no se extienden más allá de la tapa **P** - cortar si es necesario.
10. Deslice las cubiertas **C** abiertas sobre la placa mural **07** para que los orificios de montaje queden expuestos.
11. Coloque los cuatro pernos tirafondo **S2 *** y arandelas **S3 *** (en el anclajes **S1 ***) y apriete firmemente hasta que estén nivelados en la placa mural **07**.
▲ PRECAUCIÓN: Evite posibles lesiones personales y daños materiales. Los cuatro tornillos tirafondo **S2 *** DEBEN ESTAR apretados firmemente para evitar que la placa mural se desplace **07**.
12. Deslice las cubiertas **C** cerradas sobre la placa mural **07**.

PASO 3

Fijar el televisor a la placa mural

Ver página 27



¡ELEMENTO PESADO! Es posible que necesite ayuda en este paso.

1. Cuelgue el módulo televisor-placas **01** y **02** en la placa mural **07**.
📄 NOTA: El módulo televisor-placas **01** y **02** se pueden deslizar hacia cualquier parte junto con la placa mural **07** para lograr un posicionamiento óptimo de su televisor.
2. Apoye el televisor en su lugar contra la pared.
3. Presione la parte inferior del televisor contra la placa mural **07** hasta que las placas de sujeción fijen el televisor en su lugar.
▲ PRECAUCIÓN: Evite el riesgo de lesiones y daños materiales. Siempre asegúrese de que el módulo televisor-placas **01** y **02** esté en la posición bloqueada para que el televisor quede bien sujeto a la placa mural **07**.

Organizar los cables

Ver página 28

Incline el televisor hacia arriba o hacia abajo para poder acceder a su parte posterior.
Conecte los cables, luego ajuste el televisor según lo desee.

Ajustes

Ver página 29


NIVEL

Para nivelar su televisor, gire el tornillo de ajuste de nivel **(S)** en la parte superior de alguna de las placas de sujeción **01** o **02** para levantar o bajar el lado respectivo del televisor.

INCLINACIÓN

El televisor debe acomodarse fácilmente al moverlo y luego quedar en su lugar.

Si su televisor se inclina naturalmente hacia arriba o hacia abajo, ajuste la perilla de tensión de inclinación **(T)**.

 **NOTA:** Si no tiene la intención de ajustar la inclinación para los diferentes puntos de visualización, puede ajustar la perilla de tensión de inclinación **(T)** para evitar movimientos indeseados.

DESPLAZADOR LATERAL DEL TELEVISOR



¡ELEMENTO PESADO! Es posible que necesite ayuda en este paso.

Deslice el televisor hacia la izquierda o hacia la derecha junto con la placa mural **07** para cambiar su posición.

EXTRACCIÓN DEL TELEVISOR



¡ELEMENTO PESADO! Es posible que necesite ayuda en este paso.

1. Desconecte todos los cables del televisor.
2. Para desbloquear el televisor de la placa mural: Jale hacia abajo y sostenga ambos cordones de desenganche **(R)** mientras tira con cuidado de la parte inferior del televisor para separarlo de la pared.
▲ PRECAUCIÓN: Para que el pasador de seguridad no se rompa, siempre jale y sostenga los cordones de desenganche **(R)** mientras retira el televisor de la pared.
3. Tire de la parte inferior del televisor desde la pared lo suficiente como para inclinar el televisor hacia arriba y fuera de la placa mural **07**.

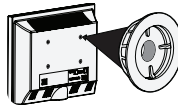


NOTA: Para volver a colocar el televisor, siga el procedimiento del PASO 3 en la PÁGINA 27.

🔗 Solución de problemas

Ver página 31

Para televisores que incluyen separadores insertados o aros adaptadores para soportes murales.



los separadores proporcionados con el televisor

Si tiene dudas sobre la elección de los elementos de fijación, contáctese con el servicio de atención al cliente. 1-800-359-5520.

- a. Use los separadores proporcionados con el televisor, si el dorso del televisor es plano (Y usted quiere que su TV más cerca de la pared).

▲ PRECAUCIÓN: Verifique el enrosque adecuado del tornillo o del conjunto tornillo/separador.

— Si es demasiado corto, no sostendrá el televisor.

— Si es demasiado largo, dañará el televisor.



- b.** Use los separadores proporcionados con el televisor y los separadores Sanus **05** para:
- televisores con dorso irregular o redondeado
 - dejar un espacio adicional para cables

⚠ PRECAUCIÓN: Verifique el enrosque adecuado del tornillo o del conjunto tornillo/separador.
— Si es demasiado corto, no sostendrá el televisor. — Si es demasiado largo, dañará el televisor.

Descripción

[Ver página 32](#)

La placa de sujeción se expande para adecuarse a televisores con patrones de orificios de 200 x 200 mm hasta 400 x 400 mm.

Las placas de sujeción pueden ajustarse de un lado al otro de la placa mural para lograr un posicionamiento óptimo.

Los mecanismos de bloqueo brindan una mayor seguridad.

El televisor se inclina hacia arriba y hacia abajo para obtener el ángulo de visualización perfecto.

El ajuste del nivel crea una instalación sencilla.

Las perillas de ajuste permiten controlar o restringir el movimiento del televisor con las yemas de los dedos.

Dimensiones

[Ver página 33](#)

📄 NOTA: El patrón descentrado de orificios en la sujeción de televisor derecho **02** está diseñado para acomodar una mayor variedad de patrones de orificios de televisor, a la vez que ofrece una fijación adecuada a la placa mural.

FOLLOW **SANUS** ON YOUR FAVORITE SOCIAL NETWORKS!

[FACEBOOK.COM/SANUSSYSTEMS](https://www.facebook.com/sanusystems)



Learn ways to get the most out of your space.
Find product updates and more.

[TWITTER.COM/SANUSSYSTEMS](https://twitter.com/sanusystems)



Learn installation tips, tricks and household know-hows.

[YOUTUBE.COM/SANUSSYSTEMS](https://www.youtube.com/sanusystems)



View step-by-step product videos to ease your install experiences.
Find the latest news stories about your favorite SANUS products.

SANUS

Thank you for choosing SANUS!

Please take a moment to let us know how we did:



Call us at: US: 1-800-359-5520



Or, chat at: US: [SANUS.com/chatSP](https://www.sanus.com/chatSP)



info@legrand.com



[SANUS.com](https://www.sanus.com)

Legrand AV Inc. and its affiliated corporations and subsidiaries (collectively, “Legrand”), intend to make this manual accurate and complete. However, Legrand makes no claim that the information contained herein covers all details, conditions, or variations. Nor does it provide for every possible contingency in connection with the installation or use of this product. The information contained in this document is subject to change without notice or obligation of any kind. Legrand makes no representation of warranty, expressed or implied, regarding the information contained herein. Legrand assumes no responsibility for accuracy, completeness or sufficiency of the information contained in this document.

Legrand AV Inc. y sus empresas asociadas y filiales (colectivamente “Legrand”) tienen la intención de que este manual sea preciso y completo. Sin embargo, Legrand no garantiza que la información que contiene incluya todos los detalles condiciones y variaciones, ni que contemple toda posible contingencia en conexión con la instalación y uso de este producto. La información contenida en este documento es susceptible de ser modificada sin aviso ni obligación de ningún tipo. Legrand no hace ninguna manifestación de garantía, explícita o implícita, respecto a la información contenida en este documento. Legrand no asume ninguna responsabilidad por la exactitud, integridad o suficiencia de la información contenida en este documento.

©2021 Legrand AV Inc. All rights reserved. SANUS is a brand of Legrand. SANUS and the SANUS logo are registered trademarks.

Legrand AV Inc. • 6436 City West Parkway • Eden Prairie, MN 55344 USA

6901-602729 00