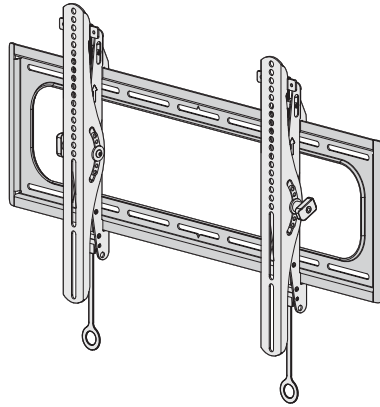




SANUS®

THANK YOU FOR CHOOSING **SANUS**
THE #1 TV MOUNT BRAND IN THE US.

BXT1 Instruction Manual



We'll Make It Stress-Free

If you have any questions along the way, just give us a call.
1-800-359-5520 (UK: 0800-056-2853) We're ready to help!

Lo haremos sin estrés

Si tiene preguntas mientras realiza la instalación, llámenos.
1-800-359-5520 (Reino Unido: 0800-056-2853) Estamos listos para ayudarlo.

Milestone AV Technologies and its affiliated corporations and subsidiaries (collectively, "Milestone"), intend to make this manual accurate and complete. However, Milestone makes no claim that the information contained herein covers all details, conditions, or variations. Nor does it provide for every possible contingency in connection with the installation or use of this product. The information contained in this document is subject to change without notice or obligation of any kind. Milestone makes no representation of warranty, expressed or implied, regarding the information contained herein. Milestone assumes no responsibility for accuracy, completeness or sufficiency of the information contained in this document.

IMPORTANT SAFETY INSTRUCTIONS – SAVE THESE INSTRUCTIONS – PLEASE READ ENTIRE MANUAL PRIOR TO USE

Before getting started, let's make sure this mount is perfect for you!

Para Español ver página 22

1 Does your TV weigh (including accessories) **more than ...**

For walls with **wood studs, solid concrete or concrete block.**

For walls with **steel studs.**

No – Perfect!

Yes – This mount is **NOT** compatible. Visit MountFinder.Sanus.com or call 1-800-359-5520 (UK: 0800-056-2853) to find a compatible mount.

2 What is your wall made of?

CAUTION:
DO NOT install into drywall alone

Drywall with **wood studs?**

Perfect!

Solid concrete or **concrete block?**

Perfect!

Drywall with **steel studs?**

Steel stud kit required (not included)

Unsure?

Call Customer Service: 1-800-359-5520 (UK: 0800-056-2853)

3 Do you have all the tools needed?

Wood Stud Install

Tape Measure Pencil Level Screwdriver Electric Drill Socket Wrench

1/2 in. (13 mm)

Concrete Install

Stud Finder Awl Drill Bit

7/32 in. (5.5 mm) Wood

Steel Stud Install

Hammer Drill Bit

3/8 in. (10 mm) Concrete

1/2 in. (13 mm) Steel

4 Ready to begin?

Please read through these instructions completely to be sure you're comfortable with this easy install process. Also check your TV owner's manual to see if there are any special requirements for mounting your TV.

If you do not understand these instructions or have doubts about the safety of the installation, assembly or use of this product, contact Customer Service at 1-800-359-5520 (UK: 0800-056-2853).

CAUTION: Avoid potential personal injuries and property damage!

- This product includes directions and hardware for use with wood stud, solid concrete and concrete block walls – DO NOT install into drywall alone.
- The wall must be capable of supporting five times the weight of the TV and mount combined.
- Do not use this product for any purpose not explicitly specified by manufacturer.
- Manufacturer is not responsible for damage or injury caused by incorrect assembly or use.

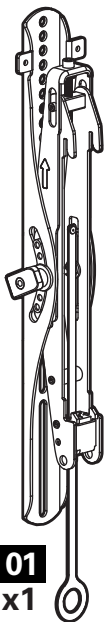
Parts and Hardware

⚠ WARNING: This product contains small items that could be a choking hazard if swallowed. Before starting assembly, verify all parts are included and undamaged. If any parts are missing or damaged, do not return the damaged item to your dealer; contact Customer Service. Never use damaged parts!

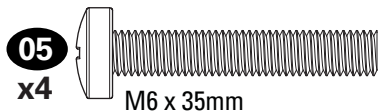
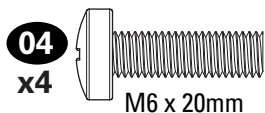
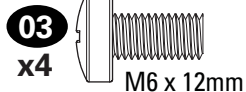
📄 NOTE: Not all hardware included will be used.

Parts and Hardware for STEP 1

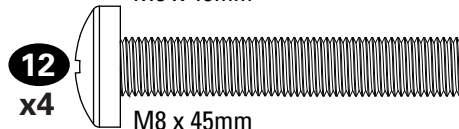
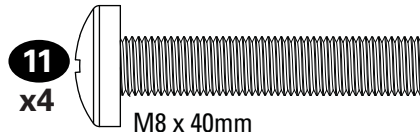
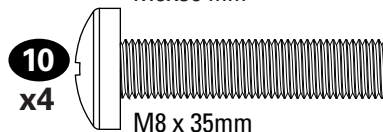
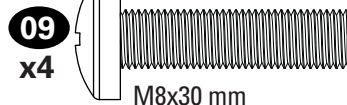
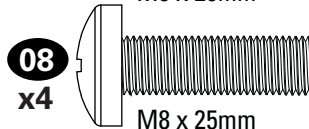
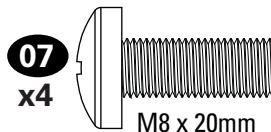
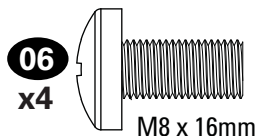
TV Brackets



TV Screws M6



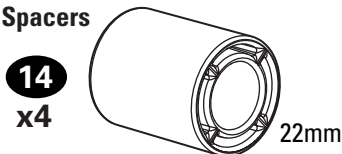
TV Screws M8



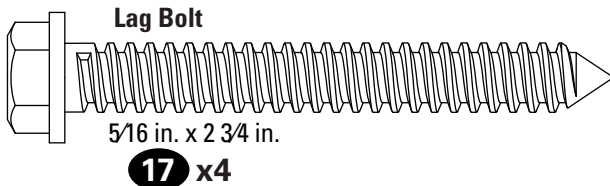
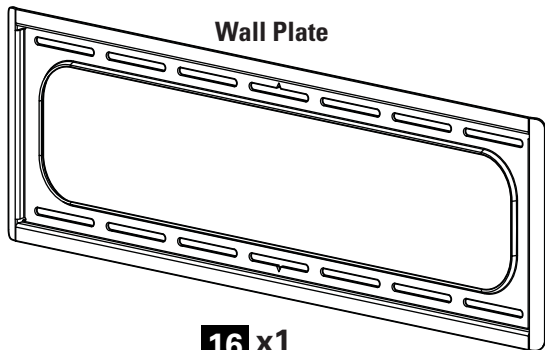
TV Washers



TV Spacers



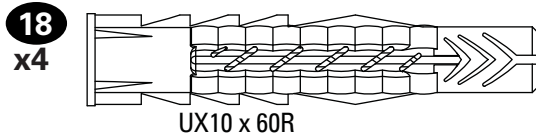
Parts and Hardware for STEP 2



For concrete installations **ONLY**

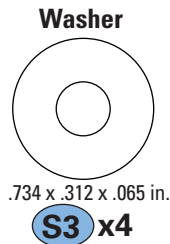
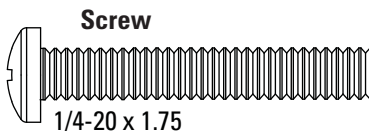
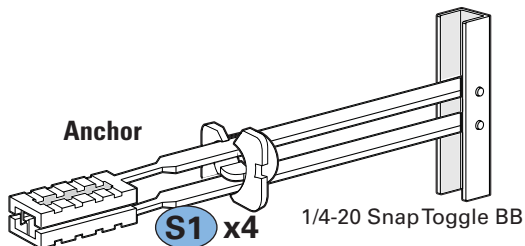
CAUTION: Do not use in drywall or wood

Concrete Anchor

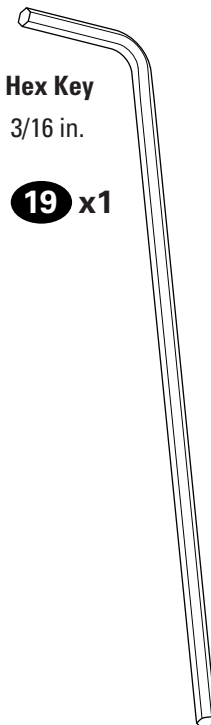


Hardware for STEP 2C Steel Stud Option [Steel Stud Anchor Kit is NOT INCLUDED]

Contact Customer Service at 1-800-359-5520 to have the additional hardware shipped directly to you.



Adjustments

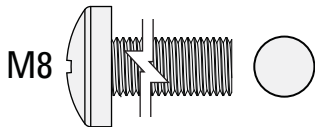
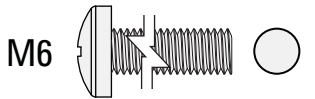
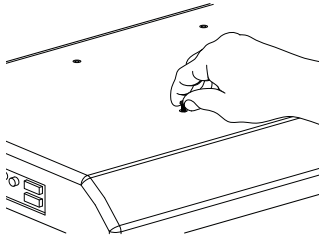


STEP 1

Attach Brackets to TV

1.1 Screw Diameter

Hand thread screws into the threaded inserts on the back of your TV to determine which screw diameter (M6, or M8) to use.

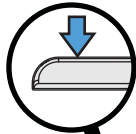


1.2 Determine Spacers and Screw Length

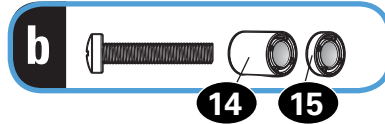
a: Use no spacers for:
Flat back TVs (AND TV closer to the wall).



FLAT BACK



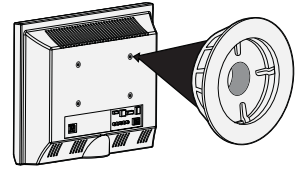
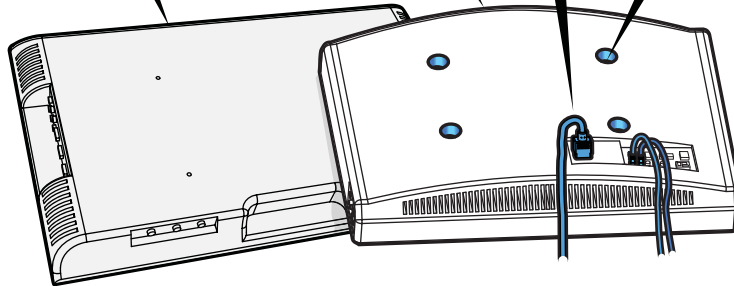
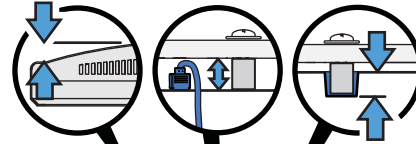
b: Spacers supplied for:
• Round (irregular) back TVs
• Extra space needed (for cables or inset mounting holes)



ROUND BACK

CABLES

INSET HOLES



? If your TV included inset spacers or wall mount adapters, see Troubleshooting on PAGE 18.

⚠ CAUTION: Verify adequate thread engagement with your screw/washer/spacer combination AND TV bracket. (STEP 1.3)

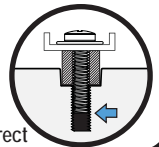
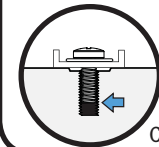
- Too short will not hold the TV.
- Too long will damage the TV.



⚠ Too Short



⚠ Too Long



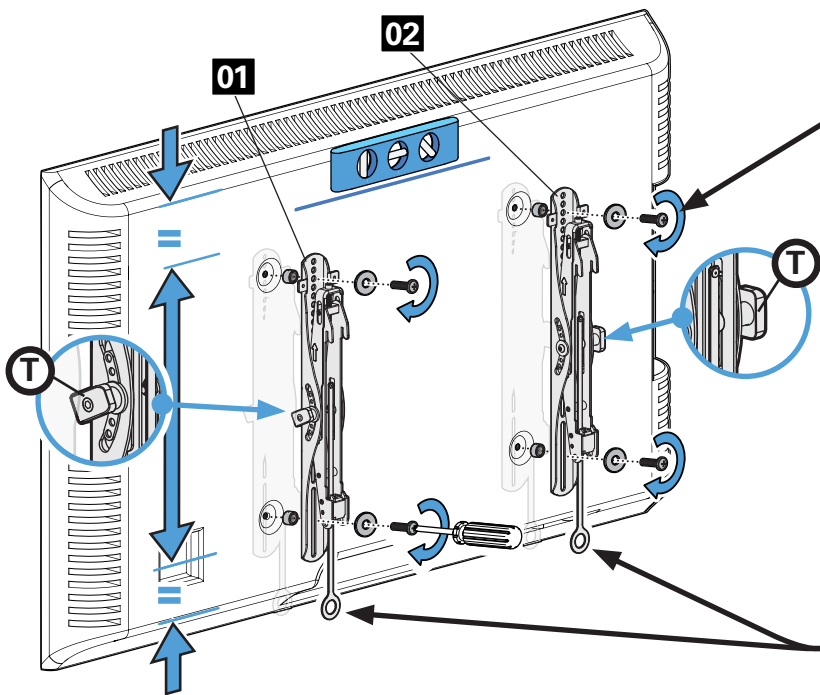
Correct

1.3 Attach TV Brackets

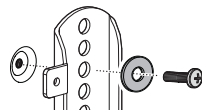
Center the TV brackets **01** and **02** over your TV hole pattern as shown - making sure the brackets are level.

 **NOTE:** The tilt tension knob **(T)** on TV brackets **01** and **02** should be oriented to the outside edges.

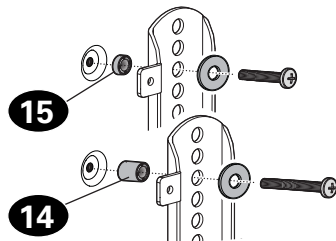
Install using the spacer, TV screw and washer combination you selected for your TV.



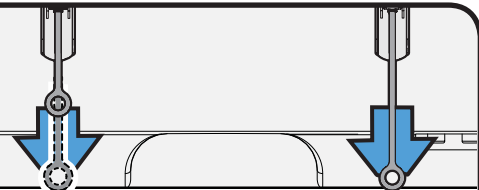
a SCREW AND WASHER

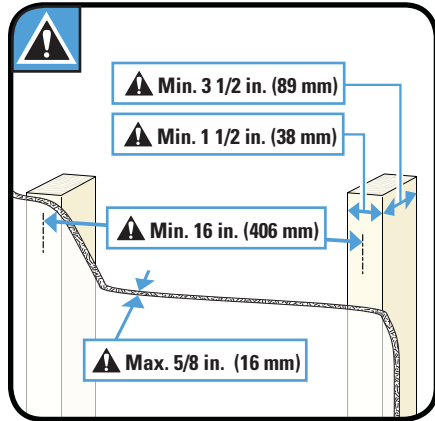


b SPACER, SCREW AND WASHER



Adjust the straps to the bottom of the TV.





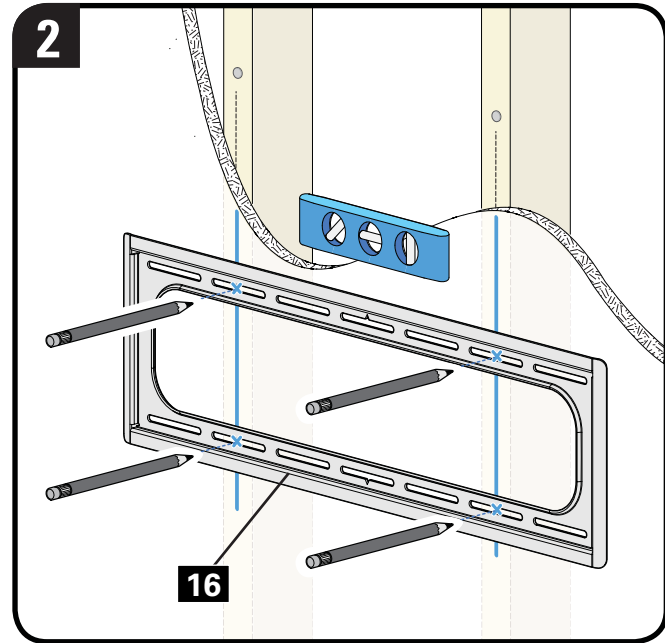
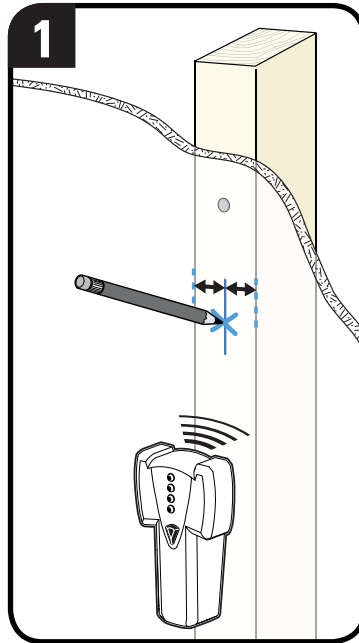
CAUTION: Avoid potential personal injuries and property damage!

- Drywall covering the wall must not exceed 5/8 in. (16 mm)
- Minimum wood stud size:
common 2 x 4 in. (51 x 102 mm)
nominal 1½ x 3½ in. (38 x 89 mm)
- Minimum horizontal space between fasteners: 16 in. (406 mm)
- Stud centers must be verified

1. Locate the stud. Verify the center of the stud using an awl, a thin nail, or an edge to edge stud finder. Mark the center of the stud with a pencil.
2. Place the wall plate **16** at your desired height, over your stud center lines. Level the wall plate **16** and mark the four hole locations.



NOTE: For assistance in determining wall plate location, see Height Finder at sanus.com.



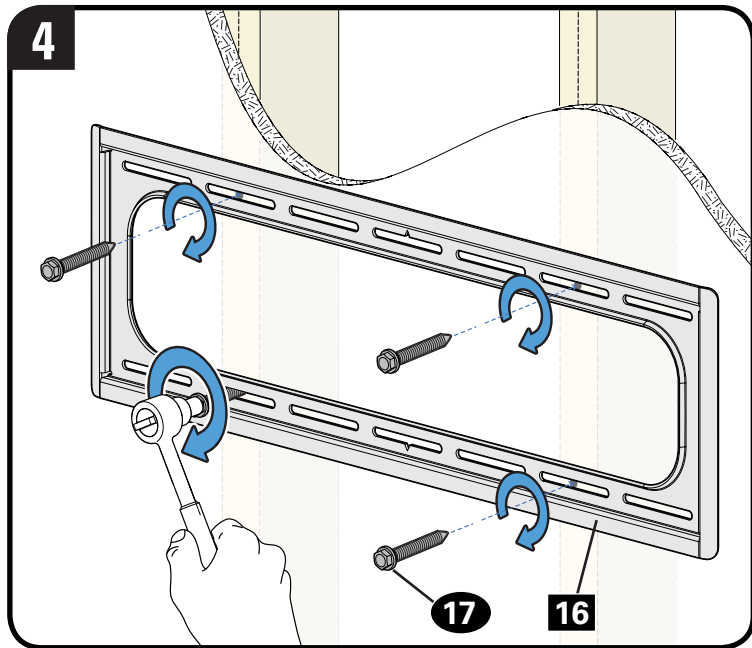
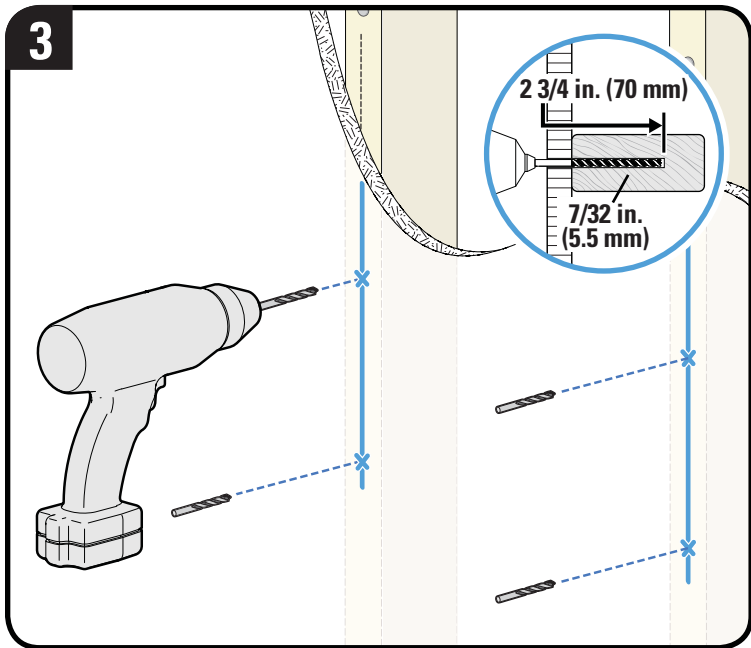
3. Drill the four pilot holes using a 7/32 in. (5.5 mm) diameter drill bit.

! IMPORTANT: Pilot holes must be drilled to a depth of 2 3/4 in. (70 mm). Be sure you drill into the center of the stud.

4. Install the wall plate **16** using four lag bolts **17**. Firmly tighten all four lag bolts **17** until they are pulled flush against the wall plate **16**.

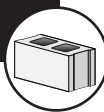
! CAUTION: Avoid potential personal injury or property damage! All four lag bolts **17** MUST BE firmly tightened to prevent unwanted movement of the wall plate **16**. Ensure the wall plate is securely fastened to the wall before continuing on to the next step.

Go to STEP 3 on PAGE 15.



STEP 2B

Attach Wall Plate to Wall



Solid Concrete or Concrete Block Installation

⚠ CAUTION: Avoid potential personal injuries and property damage!

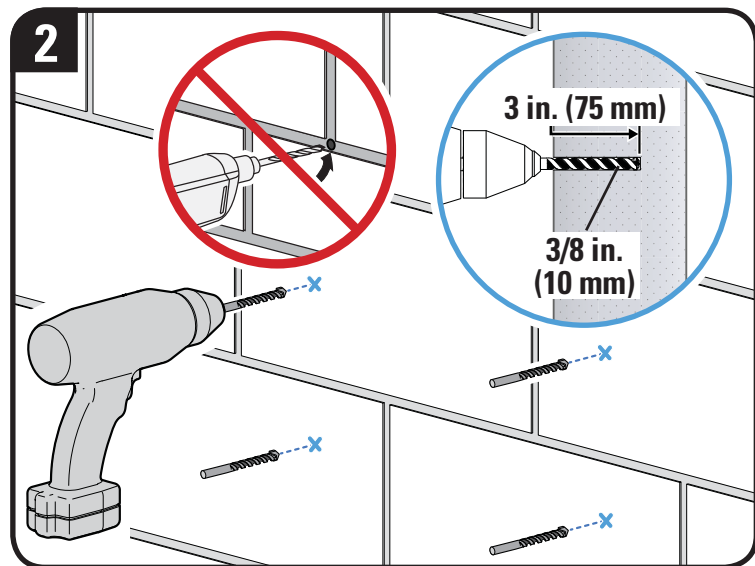
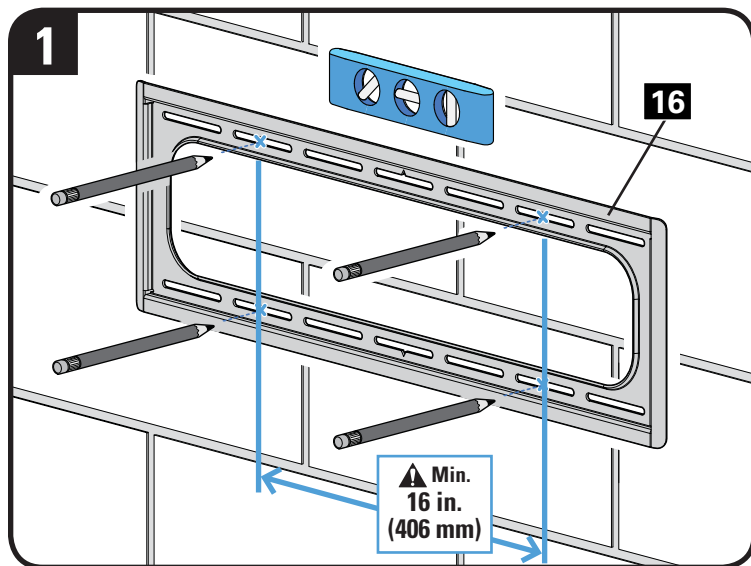
- Mount the wall plate **16** directly onto the concrete surface
- Minimum solid concrete thickness: 8 in. (203 mm)
- Minimum concrete block size: 8 x 8 x 16 in. (203 x 203 x 406 mm)
- Minimum horizontal space between fasteners: 24 in. (610 mm)

1. Position the wall plate **16** on the wall at your desired height. Level the wall plate and mark the hole locations.

 **NOTE:** For assistance in determining wall plate location, see Height Finder at sanus.com.

2. Drill four pilot holes using a 3/8 in. (10 mm) diameter drill bit.

ⓘ IMPORTANT: Pilot holes must be drilled to a depth of 3 in. (75 mm). Never drill into the mortar between blocks.



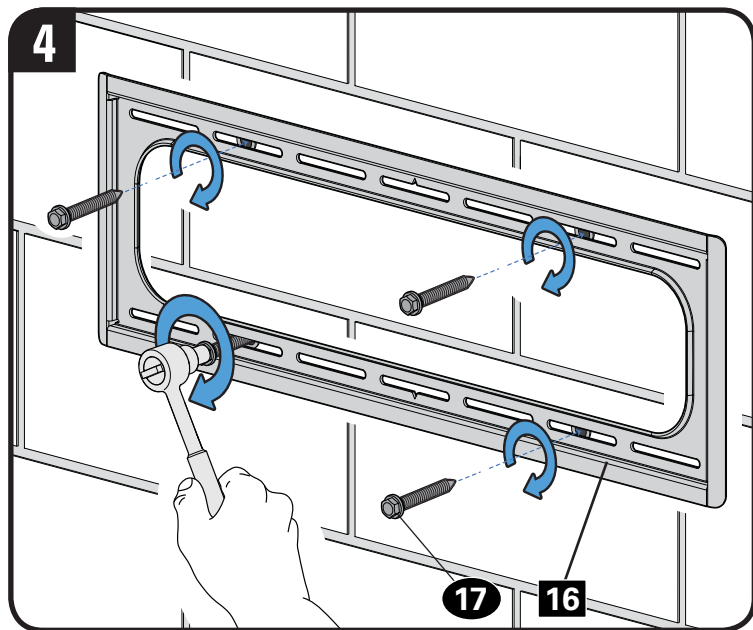
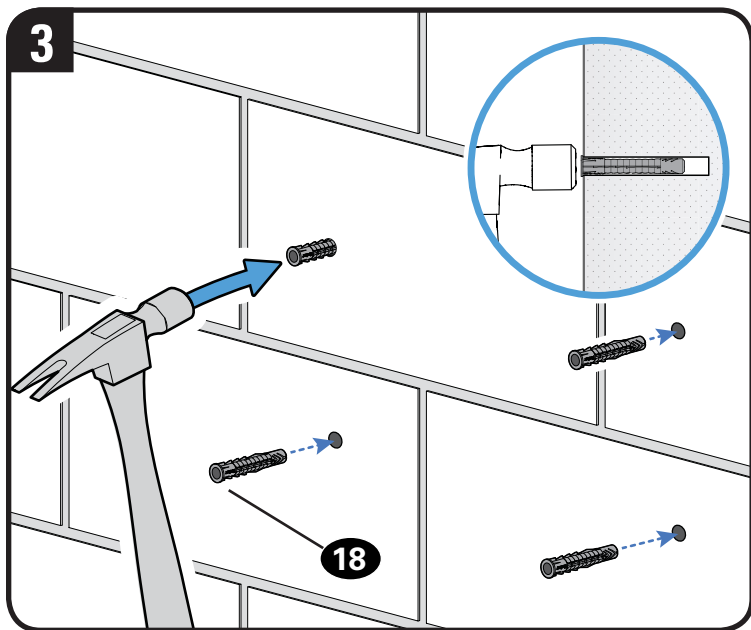
3. Insert four anchors **18**.

⚠ CAUTION: Be sure the anchors **18** are seated flush with the concrete surface.

4. Install the wall plate **16** using four lag bolts **17**. Firmly tighten all four lag bolts **17** until they are pulled flush against the wall plate **16**.

⚠ CAUTION: Avoid potential personal injury or property damage! All four lag bolts **17** MUST BE firmly tightened to prevent unwanted movement of the wall plate **16**. Ensure the wall plate is securely fastened to the wall before continuing on to the next step.

Go to STEP 3 on PAGE 15.



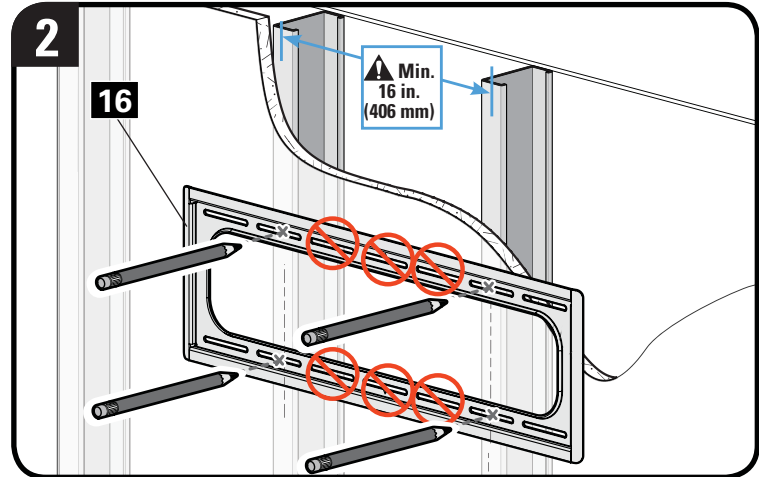
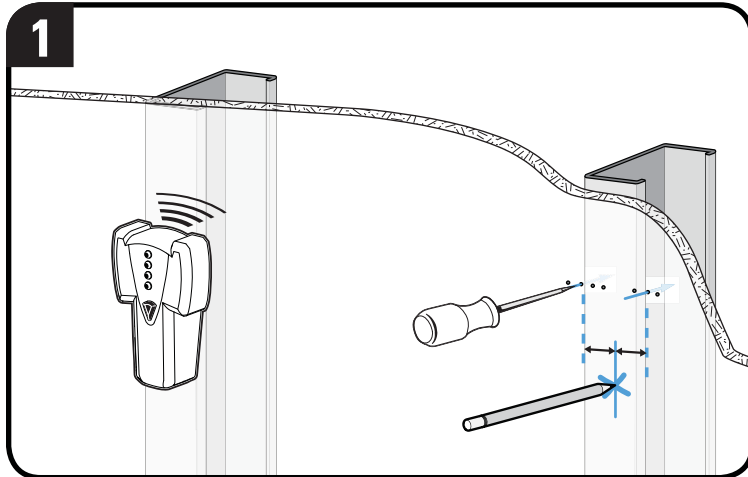
⚠ CAUTION: Avoid potential personal injuries and property damage!

- Studs must be at least 2x4 in. / 25 ga.
- If back side of wall is unfinished, drywall must be installed to a minimum of one stud left and right of the stud(s) being used to install the mount.
- Drywall must be a minimum of 1/2 in. (13 mm) thick on each side of the studs, and a minimum clearance of 1 7/8 in. (48 mm) behind the wall is required.
- This product must be centered on the studs.
- Stud type and structural strength must conform to the North American Specification for the Design of Cold-Formed Steel Structural Members [362 S 125 18, C-Shape, S - Stud Section].
- Drywall must be secured to studs with screws 12 in. (304.8 mm) on center.

1. Locate the stud. Verify the center of the stud using an awl, a thin nail, or an edge to edge stud finder. Mark the center of the stud with a pencil.
2. Place the wall plate **16** at your desired height and position over your stud center lines. Level the wall plate **16** and mark the hole locations.

⚠ CAUTION: Avoid potential personal injury or property damage! Do not use the three middle slots for mounting.

📄 NOTE: For assistance in determining wall plate location, see Height Finder at sanus.com.

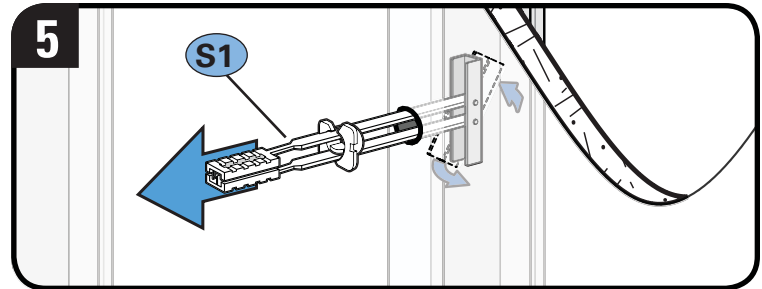
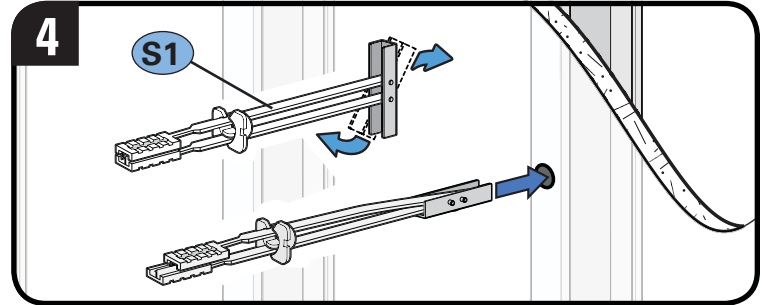
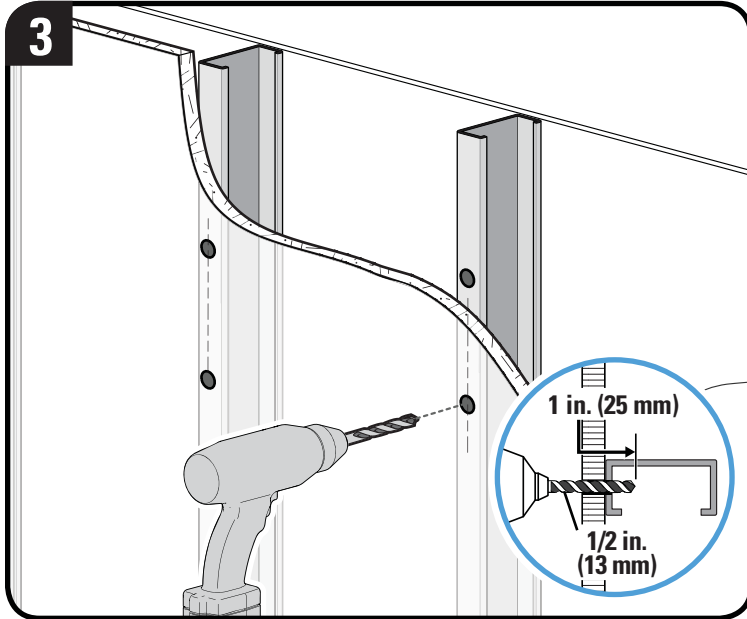


3. Drill the four pilot holes using a 1/2 in. (13 mm) diameter drill bit.

! IMPORTANT: Pilot holes must be drilled to a depth of 1 in. (25 mm). Be sure you drill into the center of the stud.

4. Insert four anchors **S1** * into the holes.

5. Pull to rotate the anchor **S1** * inside the wall.



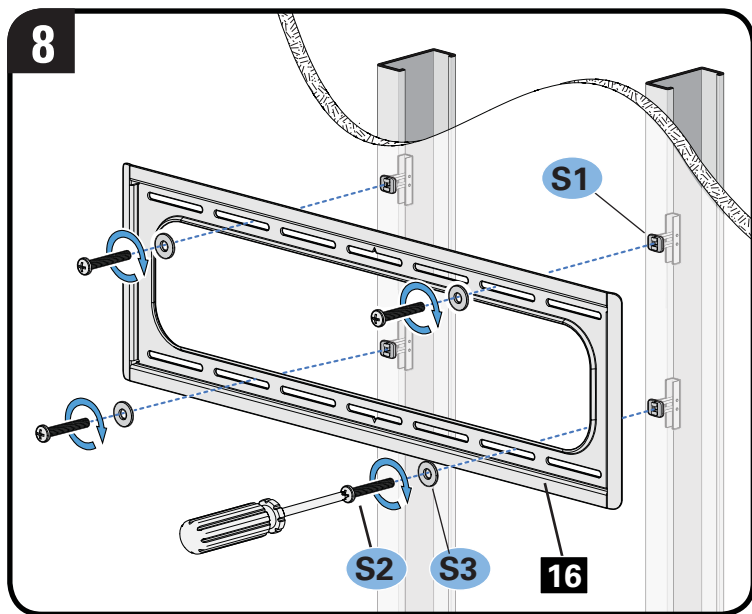
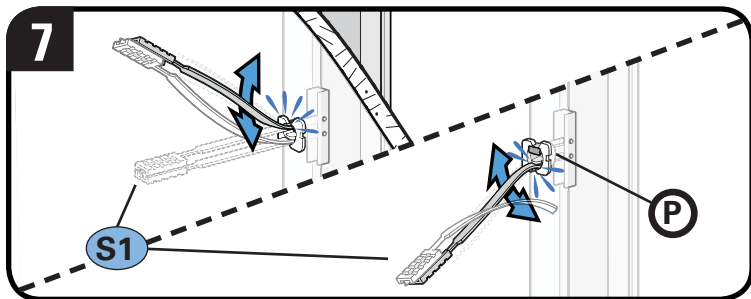
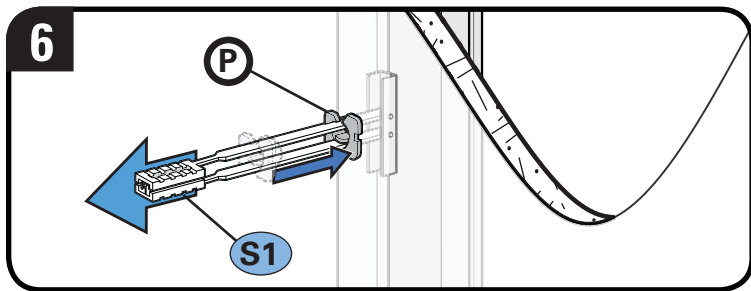
6. Hold the end of the anchor (S1) *, while sliding the cap (P) against the drywall.

7. Snap off the ends of the anchor (S1) * to lock in place.

⚠ CAUTION: Be sure the cap (P) is seated against the drywall surface and the ends of the anchor do not extend beyond the cap (P) - cut if necessary.

8. Install the four bolts (S2) * and washers (S3) * and firmly tighten until the bolts are pulled flush against the wall plate 16.

⚠ CAUTION: Avoid potential personal injury or property damage! All four bolts (S2) * MUST BE firmly tightened to prevent unwanted movement of the wall plate 16. Ensure the wall plate is securely fastened to the wall before continuing on to the next step.




STEP 3

Attach TV to Wall Plate



HEAVY! You may need assistance with this step.

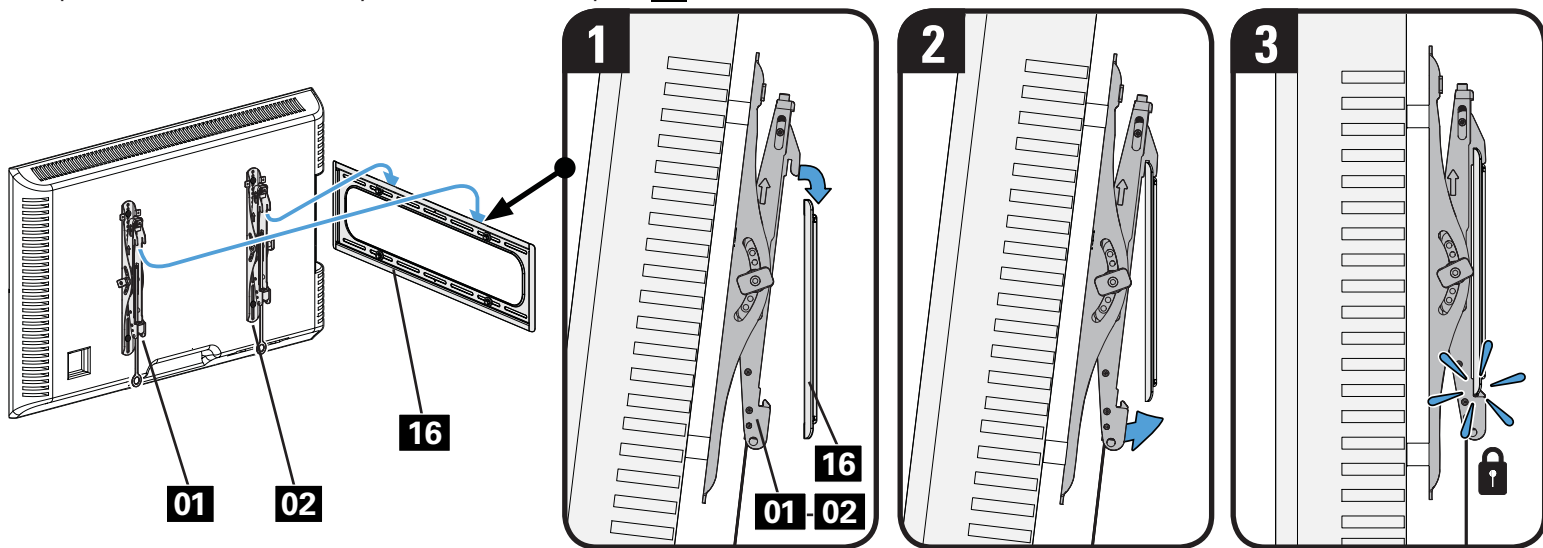
1. Hook the TV/brackets **01** and **02** onto the wall plate **16**.

 **NOTE:** The TV/brackets **01** and **02** can be slid anywhere along the wall plate **16** for optimal positioning of your TV.

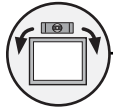
2. Rest the TV into place against the wall.

3. Press the bottom of the TV against the wall plate **16** until the latches lock the TV in place.

⚠ CAUTION: Avoid potential personal injury or property damage! Always make sure your TV brackets **01** and **02** are in the locked position so the TV is securely fastened to the wall plate **16**.

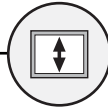
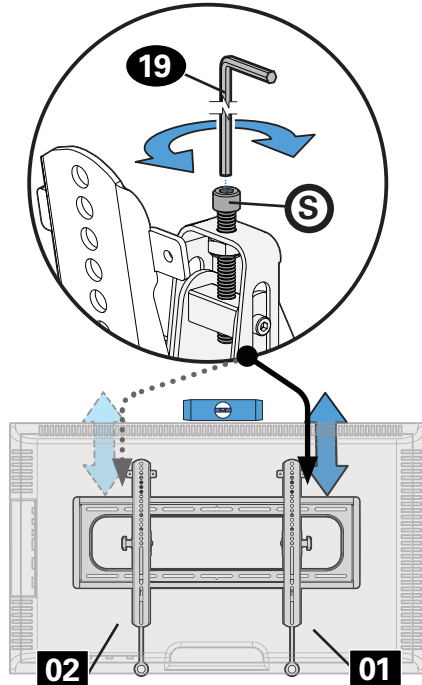


Adjustments



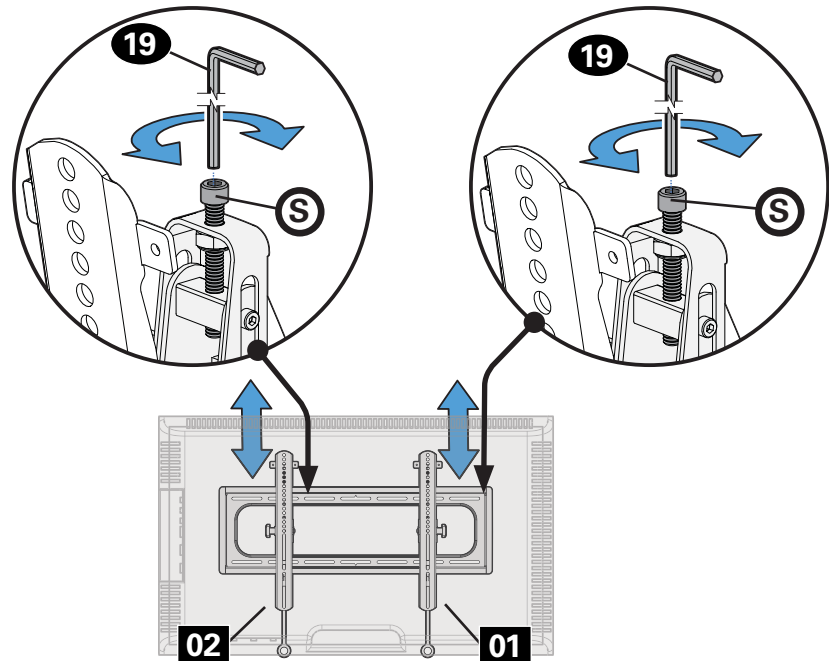
LEVEL

To level your TV, turn the level adjustment screw **(S)** on the top of either TV bracket **01** or **02** to raise or lower that respective side of the TV.



HEIGHT

To adjust the height of your TV, turn the level adjustment screw **(S)** on the top of BOTH TV brackets **01** or **02** to raise or lower the TV.




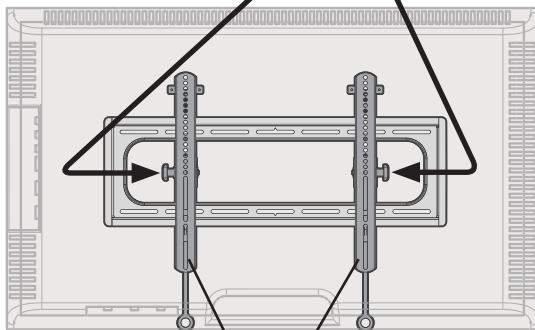
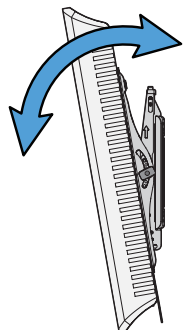


TILT

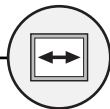
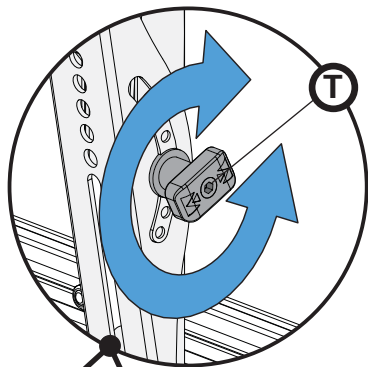
Your TV should adjust easily when moved, then stay in place.

Adjust the tilt tension knob **T** if your TV naturally tilts up or down.

 **NOTE:** If you do not intend to adjust the tilt for different viewing locations, you can tighten the tilt tension knobs **T** to prevent unwanted movement.



02 **01**

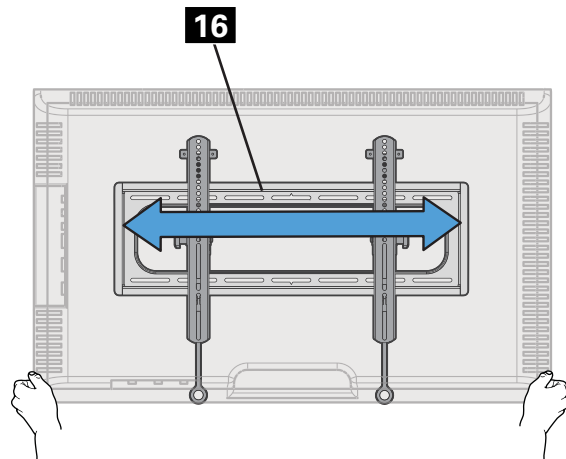


TV LATERAL SHIFT



⚠ CAUTION: Avoid potential personal injury or property damage!

Slowly slide the TV along wall plate **16** to reposition. The wall plate **16** has built-in stops to limit lateral movement.





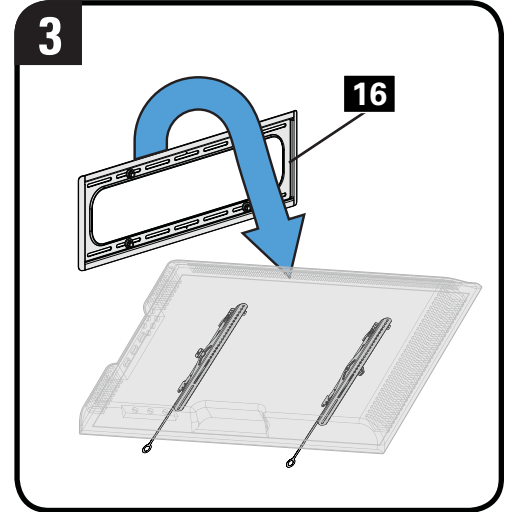
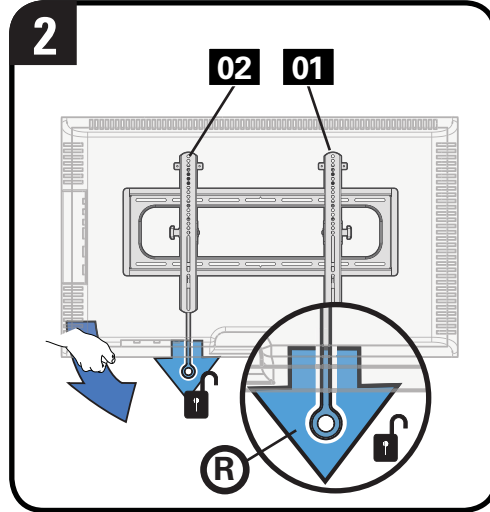
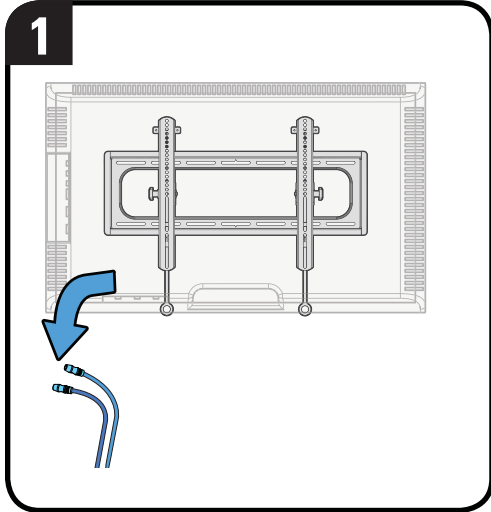
REMOVING THE TV



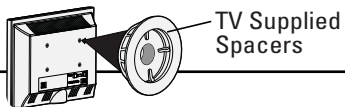
HEAVY! You may need assistance with this step.

1. Disconnect all cables from the TV.
2. To unlock the TV from the wall plate: Pull down and hold both release cords **(R)** while gently pulling the bottom of the TV away from the wall.
⚠ CAUTION: Avoid potential personal injury or property damage! To prevent breaking the locking latch: always pull and hold the release cords **(R)** down while pulling the TV away from the wall.
3. Lift the TV up and off of wall plate **16**.

NOTE: To rehang the TV, follow the procedures in STEP 3 on PAGE 15.

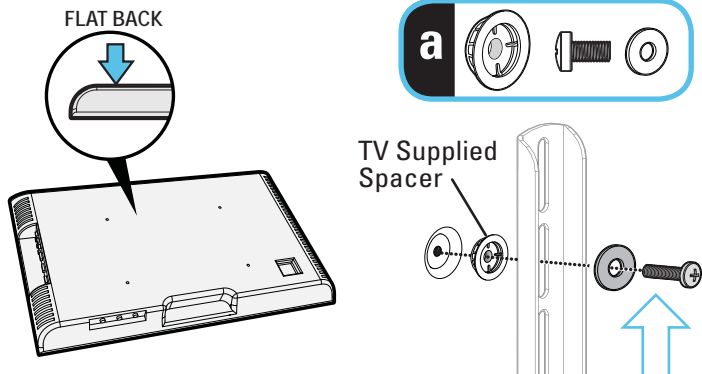


TV supplied spacers



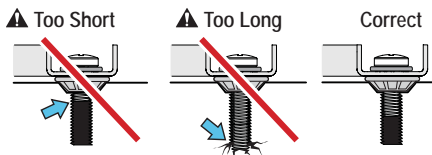
a: Use your TV supplied spacer for flat back TVs (AND you want your TV closer to the wall).

NOTE: M8 screws can be used without the washer for extra thread engagement.



CAUTION: Avoid potential injury or property damage! Use the correct screw length for adequate thread engagement.

- Too short will not hold the TV.
- Too long will damage the TV.

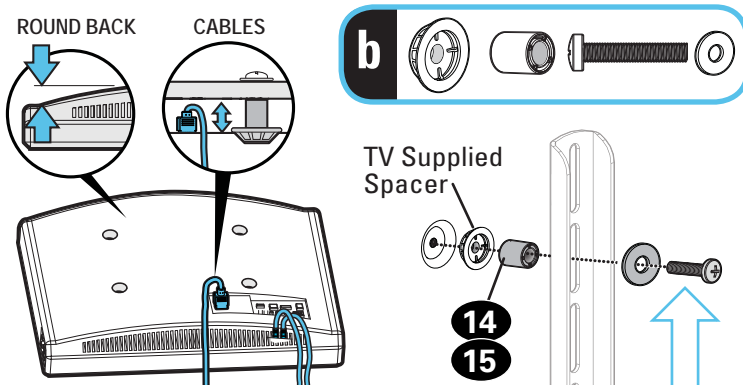


If you are uncertain about your hardware selection, contact Customer Service at 1-800-359-5520.

b: Use your TV supplied spacer and spacers **14** or **15** for:

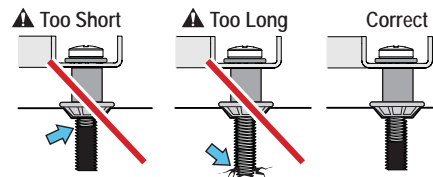
- Round (irregular) back TVs
- Extra space needed for cables

NOTE: M8 screws can be used without the washer for extra thread engagement.



CAUTION: Avoid potential injury or property damage! Use the correct screw length for adequate thread engagement.

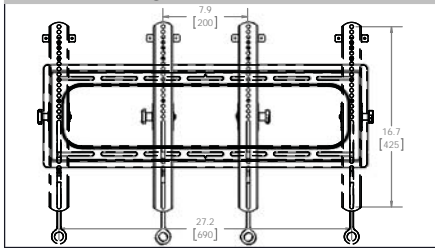
- Too short will not hold the TV.
- Too long will damage the TV.



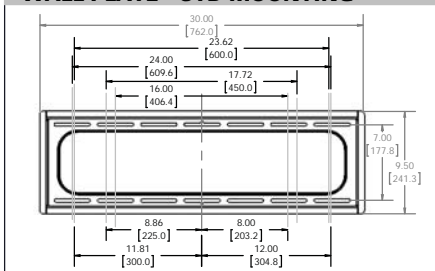
Dimensions

in. [mm]

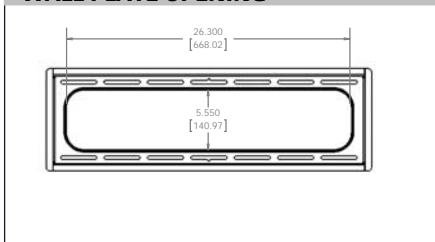
TV INTERFACE



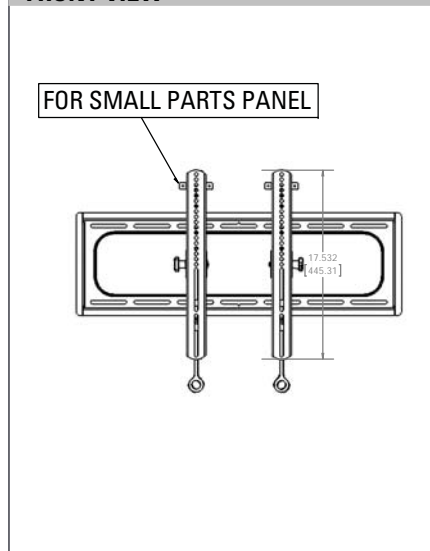
WALL PLATE - STD MOUNTING



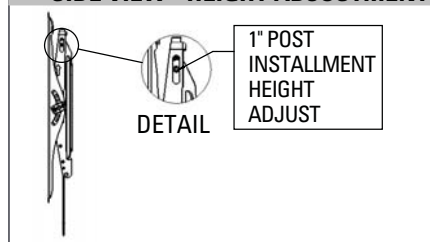
WALL PLATE OPENING



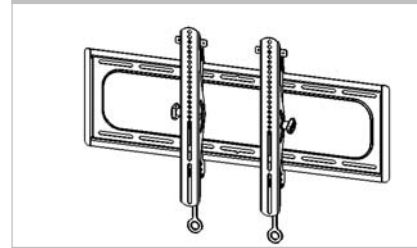
FRONT VIEW



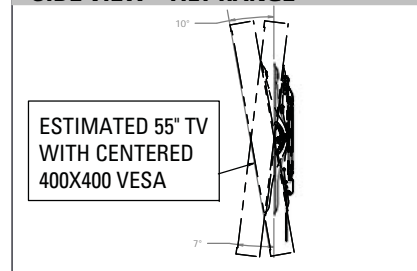
SIDE VIEW - HEIGHT ADJUSTMENT



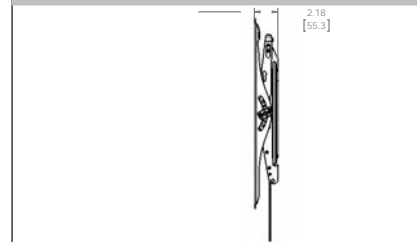
3-D



SIDE VIEW - TILT RANGE



SIDE VIEW - DEPTH



Antes de comenzar, verifiquemos que este soporte sea el ideal para sus necesidades.

1 ¿Su televisor (incluidos los accesorios) pesa *más* de?

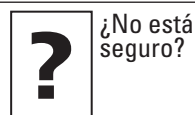
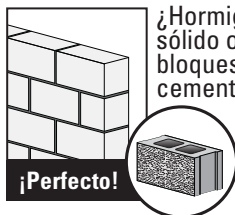


No — ¡Perfecto!

Sí — Este soporte **NO** es compatible. Visite MountFinder.Sanus.com o llame al 1-800-359-5520 (Reino Unido: 0800-056-2853) para encontrar un soporte compatible.

2 ¿De qué está hecha su pared?

PRECAUCIÓN:
NO lo instale en tabiques únicamente de yeso



Llame al 1-800-359-5520 (Reino Unido: 0800-056-2853)

3 ¿Tiene todas las herramientas necesarias?



4 ¿Listo para comenzar?

Lea estas instrucciones en su totalidad para estar seguro de sentirse cómodo con este fácil proceso de instalación. Consulte también el manual del usuario de su televisor para ver si existe algún requisito especial para instalar su televisor en la pared.

PRECAUCIÓN: Evite posibles lesiones personales y daños materiales.

- Este producto incluye instrucciones y elementos de sujeción para su instalación en paredes con montantes de madera, en superficies de hormigón y sobre bloques de cemento. **NO** lo instale en tabiques únicamente de yeso. Para obtener información sobre cómo usar este producto en paredes con montantes de acero, póngase en contacto con el servicio de atención al cliente y pregunte por el kit de montaje en montantes de acero.
- La pared debe soportar cinco veces el peso del televisor y del soporte juntos.
- No utilice este producto para ningún otro propósito que no sea el explícitamente especificado por el fabricante.
- El fabricante no se responsabiliza por ningún daño o lesión resultante del montaje incorrecto o de uso indebido.

Piezas y accesorios suministrados

VER PÁGINAS 4-5

⚠ ADVERTENCIA: Este producto contiene piezas pequeñas que, si fuesen tragadas, podrían producir asfixia. Antes de iniciar el ensamblaje, compruebe que todas las piezas estén incluidas y en buenas condiciones. Si faltan piezas o alguna está dañada, no devuelva el artículo al distribuidor; póngase en contacto con el servicio de atención al cliente. Nunca utilice piezas deterioradas.

📄 NOTA: No todos los accesorios incluidos deberán utilizarse.

SOLO para instalaciones en hormigón

⚠ PRECAUCIÓN: No usar en placas de yeso o montantes de madera

18 x4



Accesorios para Paso 2C Opción para montantes de acero [El Kit de instalación de un solo montante no está incluido]

Comuníquese con el servicio de atención al cliente al 1-800-359-5520 para solicitar que le enviemos los elementos de sujeción adicionales.

PASO 1 Fijar la placa de sujeción al televisor

VER PÁGINA 6

1,1 Seleccione el diámetro de los tornillos para el televisor

Enrosque manualmente los tornillos en los encastres roscados del dorso del televisor a fin de determinar qué diámetro de tornillos (M6 o M8) utilizar.

1,2 Seleccione el largo de los tornillos para el televisor

Si el dorso del televisor es plano, utilice los tornillos cortos. Los espaciadores y los tornillos largos se proporcionan para:

- televisores con dorso irregular o redondeado
- televisores con orificios de montaje intercalados
- dejar un espacio adicional para cables

? Para televisores que incluyen separadores insertados o aros adaptadores para soportes murales, see Solución de problemas en página 18.

⚠ PRECAUCIÓN: Verifique que el tornillo o la combinación de tornillo/arandela/espaciador y la placa de sujeción enrosquen correctamente. — Si el tornillo es demasiado corto, no sostendrá el televisor. — Si es demasiado largo, dañará el televisor. (VER PASO 1,3)

1,3 Fijar la placa de sujeción al televisor

Centre las placas de sujeción **01** y **02** sobre el patrón de orificios del televisor, como se muestra. Asegúrese de que las placas de sujeción estén niveladas.

📄 NOTA: Las perillas de tensión de inclinación **T** de las placas de sujeción del televisor **01** y **02** deben orientarse hacia los bordes externos. Coloque la combinación de separador, tornillo y arandela que seleccionó para su televisor.

Ajuste las correas a la parte inferior de la TV.

PASO 2A Fijar la placa mural

Opción para montantes de madera

VER PÁGINA 8

⚠ PRECAUCIÓN: Evite lesiones personales y daños materiales.

- El yeso que recubre la pared no debe exceder los 16 mm (5/8").
- Tamaño mínimo del montante de madera: común 51 mm x 102 mm (2" x 4") nominal 38 mm x 89 mm (1 1/2" x 3 1/2").
- Espacio horizontal mínimo entre los elementos de sujeción: 406 mm (16").
- Se deben verificar las partes centrales de los pernos.

1. Localice los montantes. Verifique el centro de los montantes con un punzón o un clavo delgado, o bien utilice un detector de bordes de montantes. Marque los centros de los montantes con un lápiz.
2. Coloque la placa mural **16** a la altura que desee y posicione los orificios en forma de ranura sobre las líneas centrales del montante. Nivele la placa mural **16** y fíjela con cinta adhesiva en el lugar.

 **NOTA:** Si necesita ayuda para determinar la ubicación de la placa mural, utilice la herramienta HeightFinder disponible en sanus.com.

3. Haga los cuatro orificios guía con una mecha de 5,5 mm (7/32") de diámetro.

! IMPORTANTE: Los orificios guía deben realizarse hasta una profundidad de 70 mm (2 3/4"). Asegúrese de perforar el centro del montante.

4. Instale la placa mural **16** usando cuatro tornillos tirafondo **17**. Apriete con firmeza los cuatro pernos tirafondos **17** hasta que queden encajados en la placa de pared **16**.

⚠ PRECAUCIÓN: Evite posibles lesiones personales y daños materiales. Los cuatro tornillos tirafondo **17** DEBEN ESTAR apretados firmemente para evitar que la placa mural se desplace **16**. Asegúrese de que la placa mural está fijada con seguridad a la pared antes de proceder con el siguiente paso.

Continúe con el PASO 3 en la PÁGINA 15.





PASO 2B Fijar la placa mural

Opción para hormigón sólido o bloques de cemento

VER PÁGINA 10

⚠ PRECAUCIÓN: Evite lesiones y daños materiales.

- Instale la placa mural **16** directamente sobre la superficie de hormigón.
- Espesor mínimo del hormigón: 203 mm (8")
- Tamaño mínimo del bloque de cemento: 203 x 203 x 406 mm (8" x 8" x 16")
- Espacio horizontal mínimo entre los elementos de sujeción: 406 mm (16 pulgadas)

- Coloque la placa mural **16** en la pared a la altura que desee. Nivele la plantilla de la placa mural y marque la ubicación de los orificios.
 **NOTA:** Si necesita ayuda para determinar la ubicación de la placa mural, utilice la herramienta HeightFinder disponible en sanus.com.
- Haga los cuatro orificios guía con una mecha de 10 mm (3/8") de diámetro.
 **IMPORTANTE:** Los orificios guía deben realizarse hasta una profundidad de 75 mm (3"). Nunca perfora el cemento que une los bloques.
- Inserte cuatro anclajes **18**.
 **PRECAUCIÓN:** Cerciórese de que los anclajes **18** queden nivelados respecto de la superficie de hormigón.
- Instale la placa mural **16** usando cuatro tornillos tirafondo **17**. Ajuste los tornillos tirafondo solamente hasta que queden firmes contra la placa mural **16**.
 **PRECAUCIÓN:** Evite posibles lesiones personales y daños materiales. Los cuatro tornillos tirafondo **17** DEBEN ESTAR apretados firmemente para evitar que la placa mural se desplace **16**. Asegúrese de que la placa mural está fijada con seguridad a la pared antes de proceder con el siguiente paso.

Continúe con el PASO 3 en la PÁGINA 15.

PASO 2C Fijar la placa mural



Opción para montantes de acero

VER PÁGINA 12

 **PRECAUCIÓN:** Evite posibles lesiones personales y daños materiales.

- LAS VIGAS DEBEN SER AL MENOS DE 2x4" / CALIBRE 25.
- SI LA PARTE POSTERIOR DE LA PARED NO PRESENTA UN ACABADO, SE DEBE APLICAR MAMPOSTERÍA AL MENOS EN UNA DE LAS VIGAS A LA IZQUIERDA Y A LA DERECHA QUE SE EMPLEEN PARA INSTALAR EL SOPORTE.
- LA MAMPOSTERÍA DEBE TENER UN ESPESOR MÍNIMO DE 13 MM EN CADA LADO DE LAS VIGAS Y UNA HOLGURA MÍNIMA DE 48 MM POR DETRÁS DE LA PARED.
- ESTE PRODUCTO DEBE CENTRARSE EN LAS VIGAS.
- EL TIPO DE VIGA Y LA RESISTENCIA ESTRUCTURAL DEBEN AJUSTARSE A LA NORMATIVA NORTEAMERICANA PARA EL DISEÑO DE COMPONENTES ESTRUCTURALES DE ACERO FORJADO EN FRÍO. [SECCIÓN 362 S 125 18, FORMA EN C, VIGA S]
- LA MAMPOSTERÍA SE DEBE FIJAR CON TORNILLOS A 30,5 CM DEL CENTRO DE LAS VIGAS.

El Kit de instalación de un solo montante no está incluido. Comuníquese con el servicio de atención al cliente al 1-800-359-5520 para solicitar que le enviemos los elementos de sujeción adicionales.

- Localice los montantes. Verifique el centro de los montantes con un punzón o un clavo delgado, o bien utilice un detector de bordes de montantes. Marque los centros de los montantes con un lápiz.
- Coloque la placa mural **16** a la altura que desee y posicione los orificios intermedios sobre las líneas centrales del montante. Nivele la placa mural **16** y fíjela con cinta adhesiva en el lugar.
 **PRECAUCIÓN:** Evite lesiones y daños materiales. No utilice las tres orificios intermedias para el montaje.
 **NOTA:** Si necesita ayuda para determinar la ubicación de la placa mural, utilice la herramienta HeightFinder disponible en sanus.com.

- Haga los cuatro orificios guía con una mecha de 13 mm (1/2") de diámetro.
! **IMPORTANTE:** Los orificios guía deben realizarse hasta una profundidad de 25 mm (1"). Asegúrese de perforar el centro del montante.
- Inserte cuatro anclajes **S1** * en los orificios.
- Tire para girar los anclajes **S1** * dentro en el tabique.
- Sostenga el extremo del anclaje **S1** *, mientras desliza la tapa **(P)** contra el tabique de yeso.
- Rompa los extremos del anclaje **S1** * para que encaje en su lugar.
! **PRECAUCIÓN:** Asegúrese de que la tapa **(P)** está asentada contra la superficie el tabique de yeso y los extremos del anclaje no se extienden más allá de la tapa **(P)** - cortar si es necesario.
- Coloque los cuatro pernos tirafondo **S2** * y arandelas **S3** * y apriete firmemente hasta que estén nivelados en la placa mural **16**.
! **PRECAUCIÓN:** Evite posibles lesiones personales y daños materiales. Los cuatro tornillos tirafondo **S2** * DEBEN ESTAR apretados firmemente para evitar que la placa mural se desplace **16**.

PASO 3 Fije el televisor a la placa mural

VER PÁGINA 15



¡ELEMENTO PESADO! Es posible que necesite ayuda en este paso.

- Cuelgue el módulo televisor-placas **01** y **02** en la placa mural **16**.
! **NOTA:** El módulo televisor-placas **01** y **02** se puede deslizar hacia cualquier parte junto con la placa mural **16** para lograr un posicionamiento óptimo de su televisor.
- Apoye el televisor en su lugar contra la pared.
- Presione la parte inferior del televisor contra la placa mural **16** hasta que las placas de sujeción fijen el televisor en su lugar.
! **PRECAUCIÓN:** Evite el riesgo de lesiones y daños materiales. Siempre asegúrese de que las placas de sujeción del televisor **01** y **02** estén en la posición bloqueada, de modo que el televisor quede bien sujeto a la placa mural **16**.

Ajustes

VER PÁGINAS 16-18

NIVEL

Para nivelar su televisor, gire el tornillo de ajuste de nivel **(S)** en la parte superior de alguna de las placas de sujeción **01** o **02** para levantar o bajar el lado respectivo del televisor.

ALTURA

Para ajustar la altura de su televisor, gire el tornillo de ajuste de nivel **(S)** en la parte superior de alguna de las placas de sujeción **01** y **02** para llevarlo a la altura deseada.

INCLINACIÓN

El televisor debe acomodarse fácilmente al moverlo y luego quedar en su lugar.

Si su televisor se inclina naturalmente hacia arriba o hacia abajo, ajuste la perilla de tensión de inclinación **(T)**.

NOTA: Si no tiene la intención de ajustar la inclinación para los diferentes puntos de visualización, puede ajustar la perilla de tensión de inclinación **(T)** para evitar movimientos indeseados.

DESPLAZADOR LATERAL DEL TELEVISOR

Deslice lentamente el televisor junto con la placa de pared **16** para recolocar. La placa de pared **16** tiene topes integrados para limitar el movimiento lateral.

EXTRACCIÓN DEL TELEVISOR

1. Desconecte todos los cables del televisor.
2. Para desbloquear el televisor de la placa mural: Jale hacia abajo y sostenga ambos cordones de desenganche **(R)** mientras tira con cuidado de la parte inferior del televisor para separarlo de la pared.

PRECAUCIÓN: Para que el pasador de seguridad no se rompa, siempre jale y sostenga los cordones de desenganche **(R)** mientras retira el televisor de la pared.

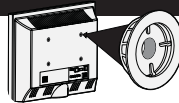
3. Tire de la parte inferior del televisor desde la pared lo suficiente como para inclinar el televisor hacia arriba y fuera de la placa mural **16**.

NOTA: Para volver a colocar el televisor, siga el procedimiento del PASO 3 en la PÁGINA 15.

Solución de problemas

VER PÁGINA 19

Para televisores que incluyen separadores insertados o aros adaptadores para soportes murales.



los separadores proporcionados con el televisor

Si tiene dudas sobre la elección de los elementos de fijación, contáctese con el servicio de atención al cliente. 1-800-359-5520 (Reino Unido: 0800-056-2853)

- a.** Use los separadores proporcionados con el televisor, si el dorso del televisor es plano (Y usted quiere que su TV más cerca de la pared).

NOTA: Se pueden utilizar tornillos M8 sin la arandela para obtener un enrosque adecuado adicional.

PRECAUCIÓN: Verifique el enrosque adecuado del tornillo o del conjunto tornillo/separador.

— Si es demasiado corto, no sostendrá el televisor. — Si es demasiado largo, dañará el televisor.

- b.** Use los separadores proporcionados con el televisor y los separadores Sanus **14** o **15** para:

- televisores con dorso irregular o redondeado
- dejar un espacio adicional para cables

NOTA: Se pueden utilizar tornillos M8 sin la arandela para obtener un enrosque adecuado adicional.

PRECAUCIÓN: Verifique el enrosque adecuado del tornillo o del conjunto tornillo/separador.

— Si es demasiado corto, no sostendrá el televisor. — Si es demasiado largo, dañará el televisor.

Dimensiones

VER PÁGINA 20

REGISTER YOUR NEW **SANUS** PRODUCT!

1

By registering, you'll be entered to win, and will receive the latest product updates, design tips, and other ways to enhance your life in your home.

2

Visit **SANUS.com/register** to complete your registration and start enjoying all of the benefits SANUS has to offer.

3

Leave a product review and let us know how your install went!



If you ever have questions about your SANUS product, give us a call at 1-800-359-5520. We're ready to help!
'Monthly prize' rules and restrictions apply. Visit SANUS.com for more info.

800-359-5520 (UK: 0800-056-2853) • info@sanus.com • sanus.com

©2015 Milestone AV Technologies. All rights reserved. SANUS is a division of Milestone.
All other brand names or marks are used for identification purposes and are trademarks of their respective owners.

SANUS • 6436 City West Parkway • Eden Prairie, MN 55344 USA

6901-002520 00