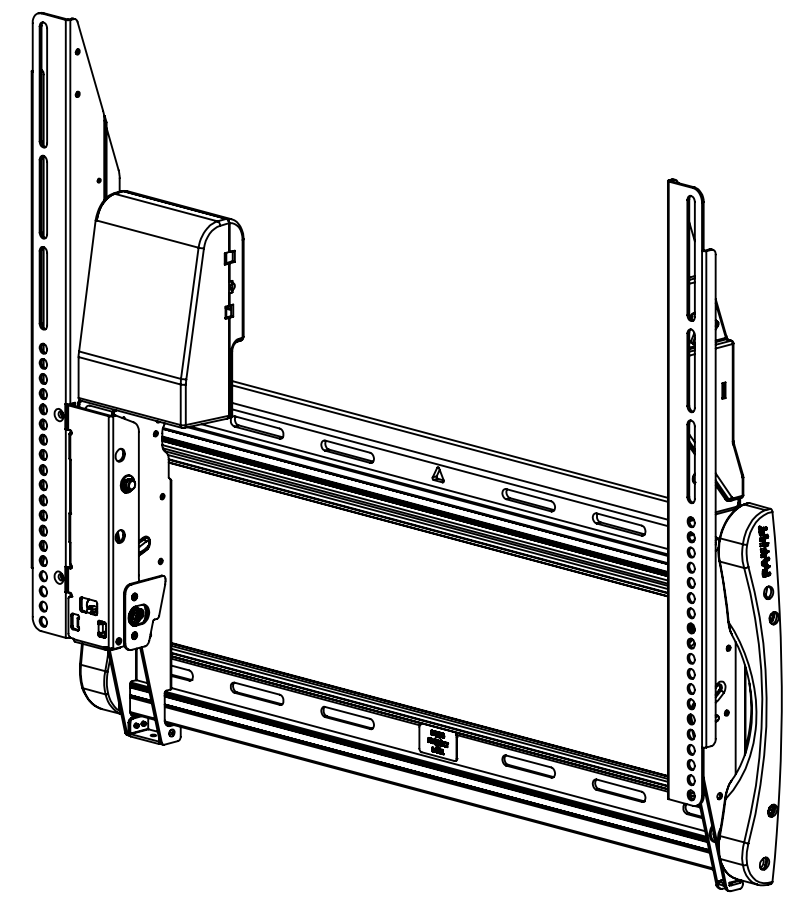
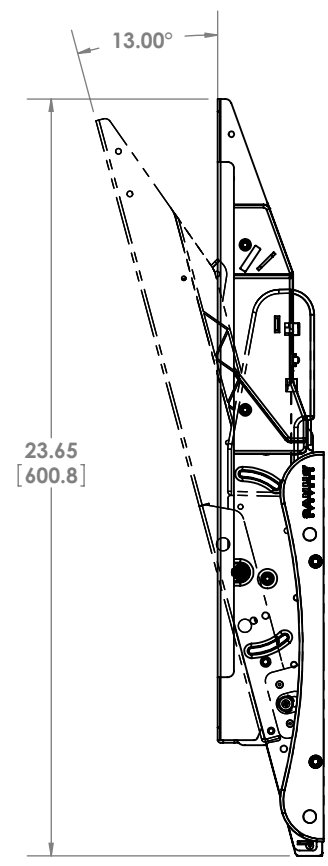
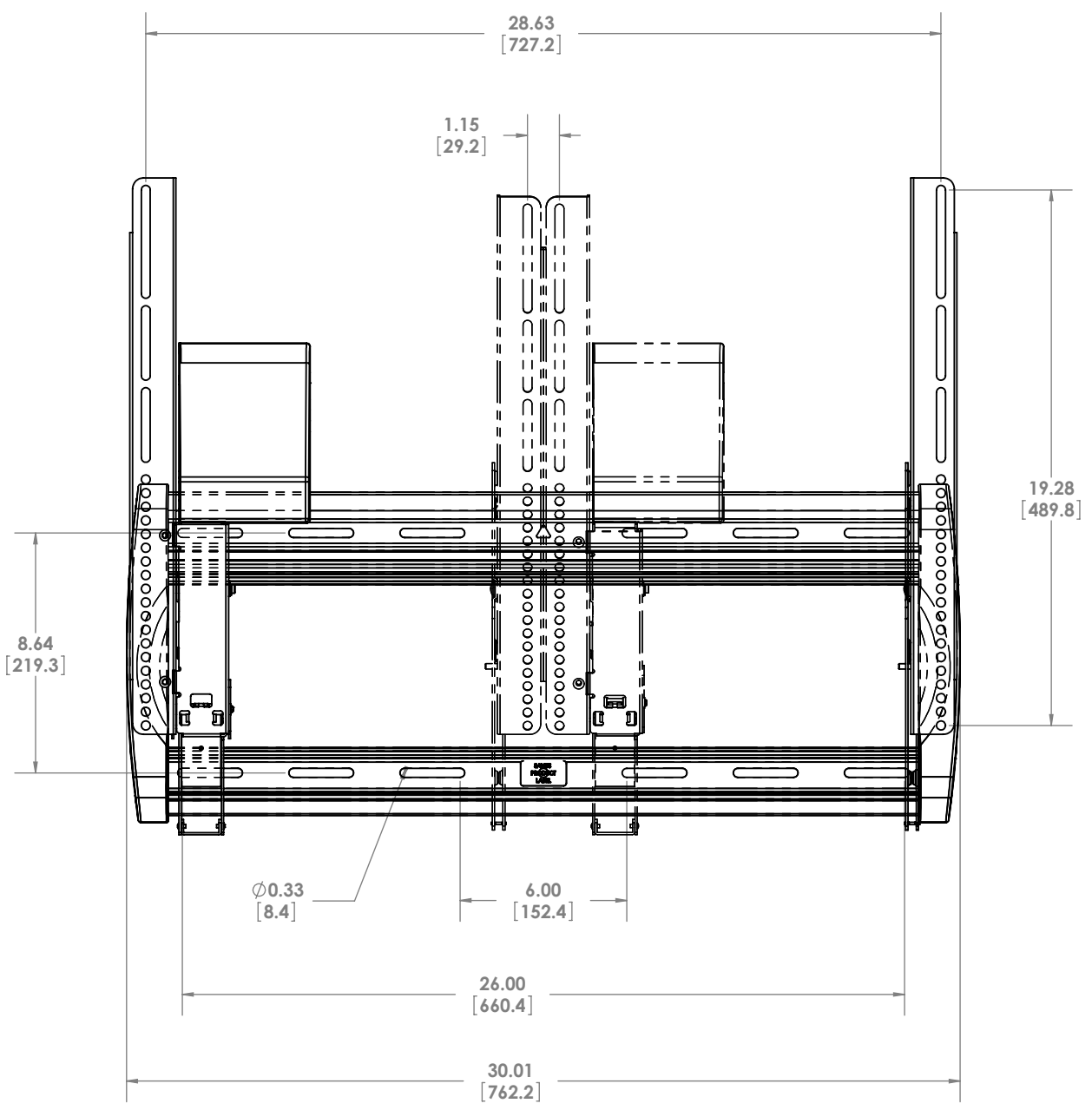
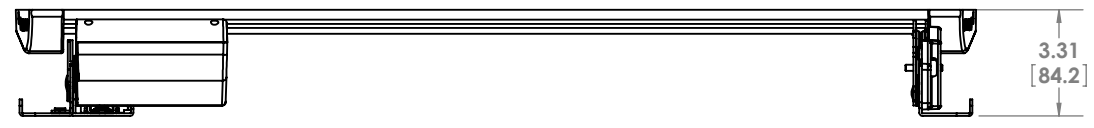


8 7 6 5 4 3 2 1

D
C
B
A

D
C
B
A



PROPRIETARY AND CONFIDENTIAL
THE INFORMATION CONTAINED IN THIS
DRAWING IS THE SOLE PROPERTY OF
SANUS SYSTEMS, A PRODUCT DIVISION OF
MILESTONE AV TECHNOLOGIES. ANY
REPRODUCTION IN PART OR AS A WHOLE
WITHOUT THE WRITTEN PERMISSION OF
SANUS SYSTEMS IS PROHIBITED.

	NAME NAS	DATE 7/3/08	SANUS SYSTEMS
ENGINEER	xxxx	xxxx	
DESIGNER	xxxx	xxxx	TITLE: LMT15
APPROVED	xxxx	xxxx	
NOTES:			
TEMPLATE REV.:	05		SHEET 1 OF 1

8 7 6 5 4 3 2 1