

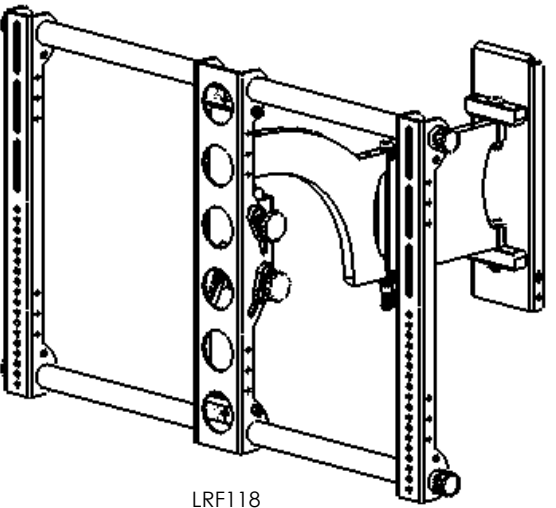
8 7 6 5 4 3 2 1

D

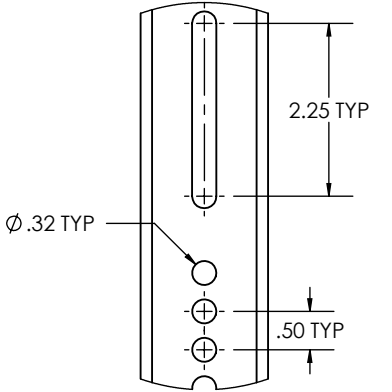
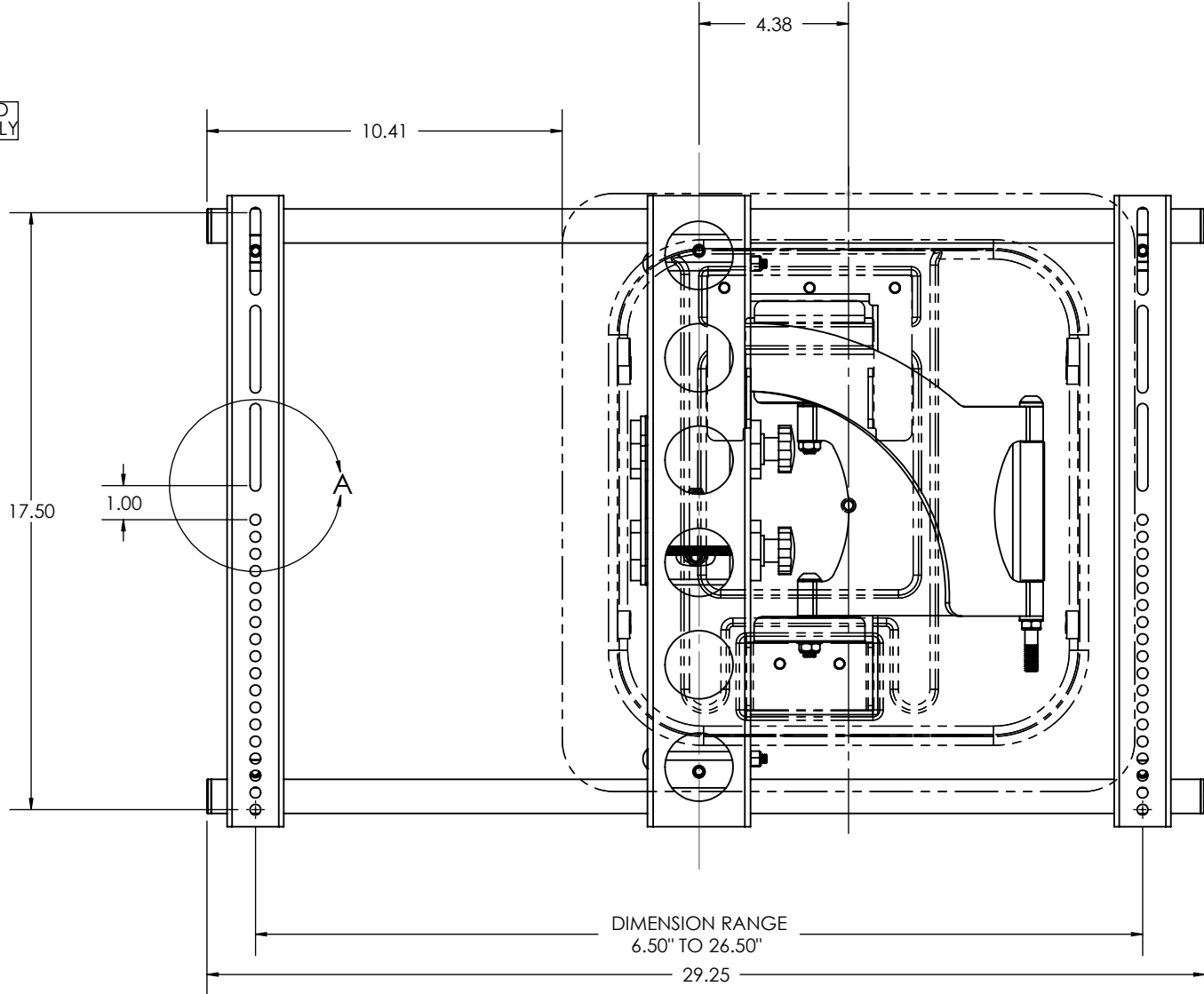
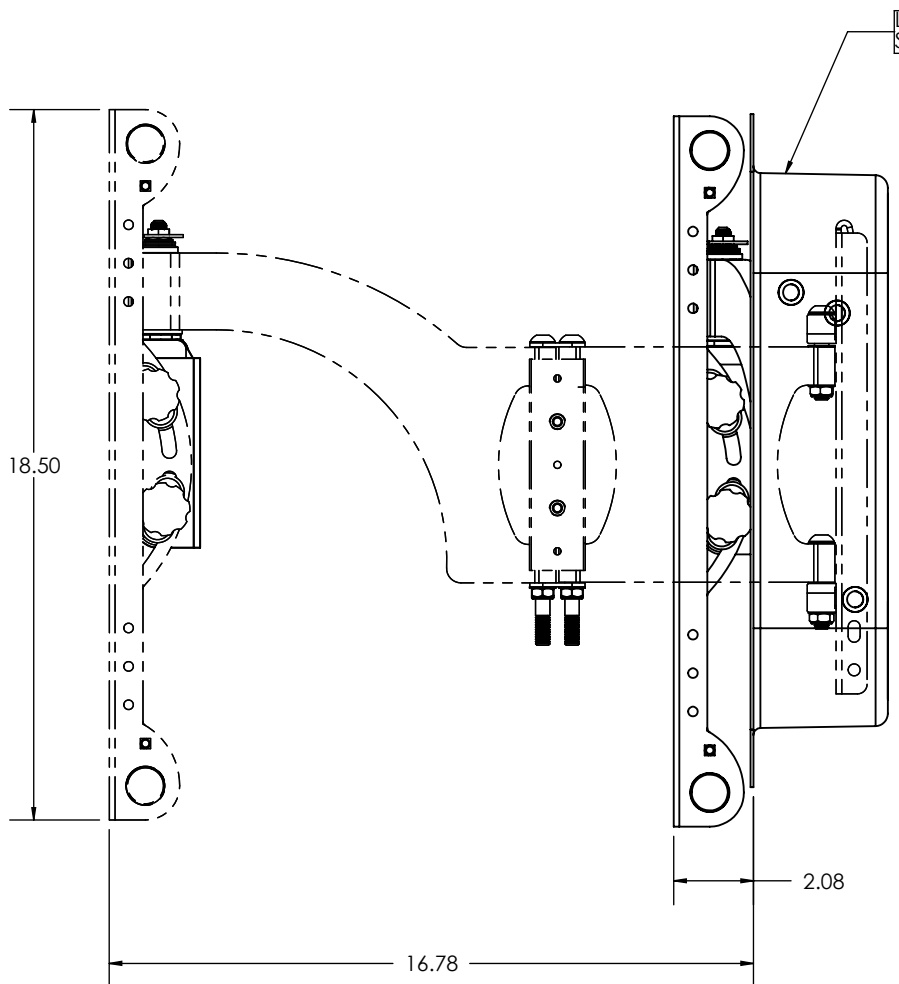
C

B

A



LRF118



DETAIL A
SCALE 2 : 5

**MAXIMUM WEIGHT CAPACITY
130 LBS**

PROPRIETARY AND CONFIDENTIAL
This product and/or its method of use is covered by one or more of the following patent(s): U.S. Patent numbers D405,988; D407,244; D405,630; 6,349,657; D429,581; D446,053; D440,079; 6,098,822; D494,978; D495,714; D496,367; D507,477; D494,596; D495,713; and D493,800 and foreign equivalents; European Patent number 000170717-0001; 000170717-0002; 1228942; and 106588 and foreign equivalents; and other patents issued or patents pending in the U.S. and other countries that are either assigned or exclusively licensed to Sanus Systems.

	NAME	DATE
DRAWN	PFT	1.30.07
CHECKED	PFT	1.30.07
ENG APPR.	PFT	1.30.07

SANUS SYSTEMS

TITLE:

LRF118

NOTES:

8 7 6 5 4 3 2 1