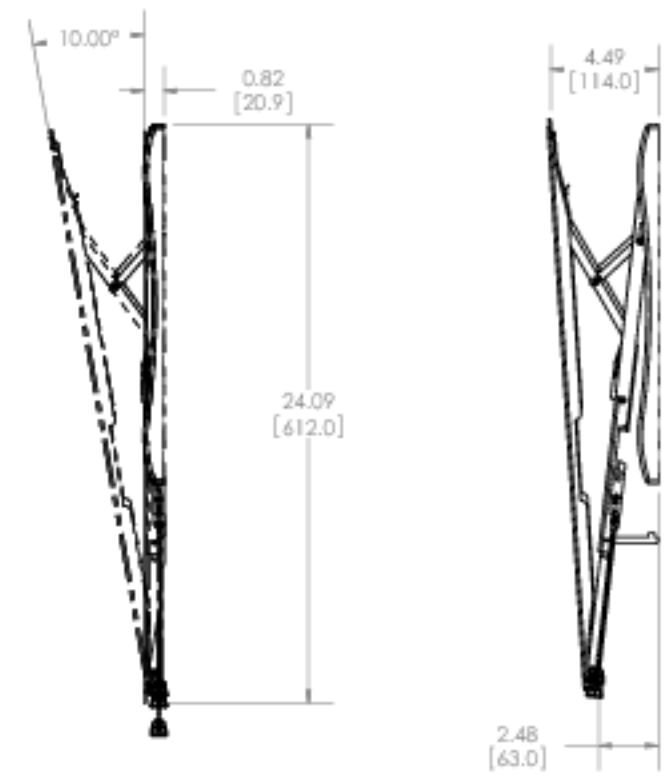
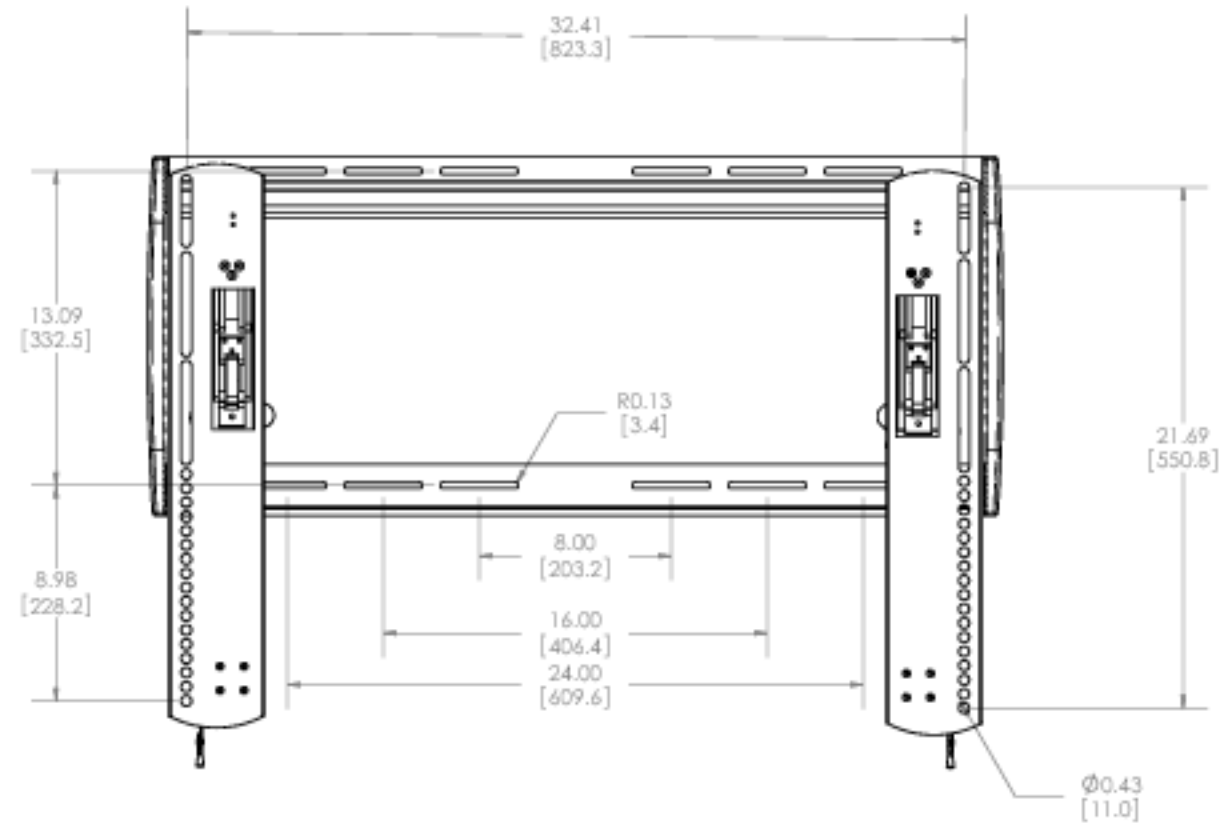
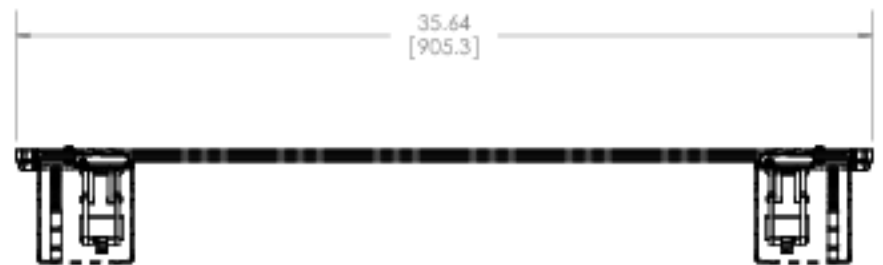


8 7 6 5 4 3 2 1

REVISIONS 修订版				
REV. 修订	DESCRIPTION 描述	DATE 日期	INITIALED 负责人字母缩写	ECO 工程变更
00	RELEASE FOR PRODUCTION	6/22/2009	NAS	5-945



D
C
B
A

D
C
B

8 7 6 5 4 3 2 1

<p>PROPRIETARY AND CONFIDENTIAL THE INFORMATION CONTAINED IN THIS DRAWING IS THE SOLE PROPERTY OF SANUS SYSTEMS, A PRODUCT DIVISION OF MILESTONE AV TECHNOLOGIES. ANY REPRODUCTION IN PART OR AS A WHOLE WITHOUT THE WRITTEN PERMISSION OF SANUS SYSTEMS IS PROHIBITED. 专有且机密资料 本信息属 SANUS SYSTEMS 公司专属财产, 未经 SANUS SYSTEMS 书面许可, 严禁复制或传播</p>	<p>NAME 姓名: NAS DATE 日期: 6/17/2009 ENGINEER 工程师: NAS DESIGNER 设计者: DDC APPROVED 批准: DDC 6/17/2009</p>	<p>SANUS SYSTEMS DESCRIPTION 描述: EXTRA LARGE TILT MOUNT</p>
	<p>SCALE 比例: 1:8 SHEET 1 OF 1</p>	
<p>TEMPLATE REV 模板修订版: 06</p>	<p>SIZE 尺寸: B DWG. NO. 图纸编号: VLT1</p>	<p>REV 修订: 00</p>