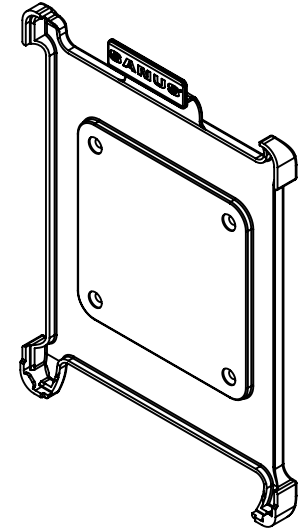
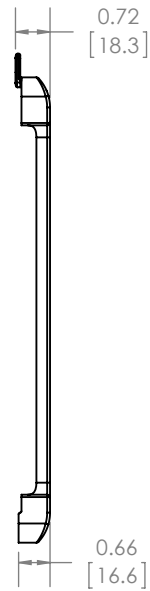
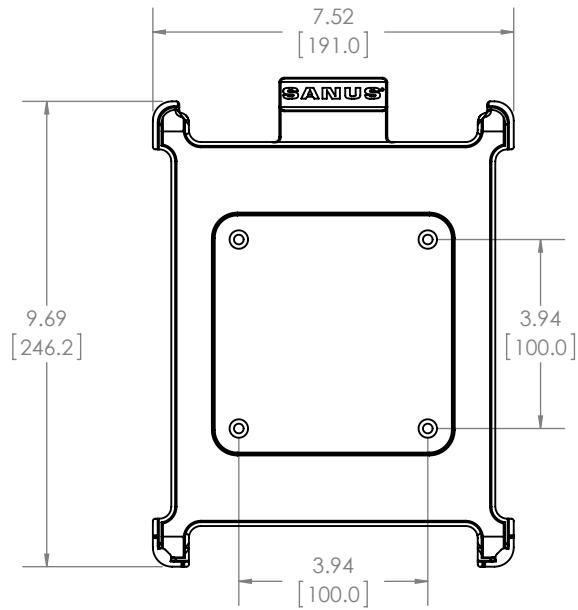


FITS SECOND GENERATION IPAD ONLY



PROPRIETARY AND CONFIDENTIAL

THE INFORMATION CONTAINED IN THIS DRAWING IS THE SOLE PROPERTY OF SANUS SYSTEMS, A PRODUCT DIVISION OF MILESTONE AV TECHNOLOGIES. ANY REPRODUCTION IN PART OR AS A WHOLE WITHOUT THE WRITTEN PERMISSION OF SANUS SYSTEMS IS PROHIBITED.

专有且机密资料

本信息属SANUS SYSTEMS公司专属财产, 未经SANUS SYSTEMS书面许可, 严禁复制其中任何内容

NAME 姓名 DATE 日期

| | | |
|--------------|-----|-----------|
| ENGINEER 工程师 | JKV | 11/9/2010 |
| DESIGNER 设计师 | JKV | 11/9/2010 |
| APPROVED 批准 | PFT | 11/9/2010 |

NOTES 注释:

SANUS
VISION MOUNT

DESCRIPTION 描述:

VMA302, Ipad 2 Adapter

TEMPLATE REV 模板修订版: 06

SCALE 比例 1:4

SHEET 1 OF 第 1