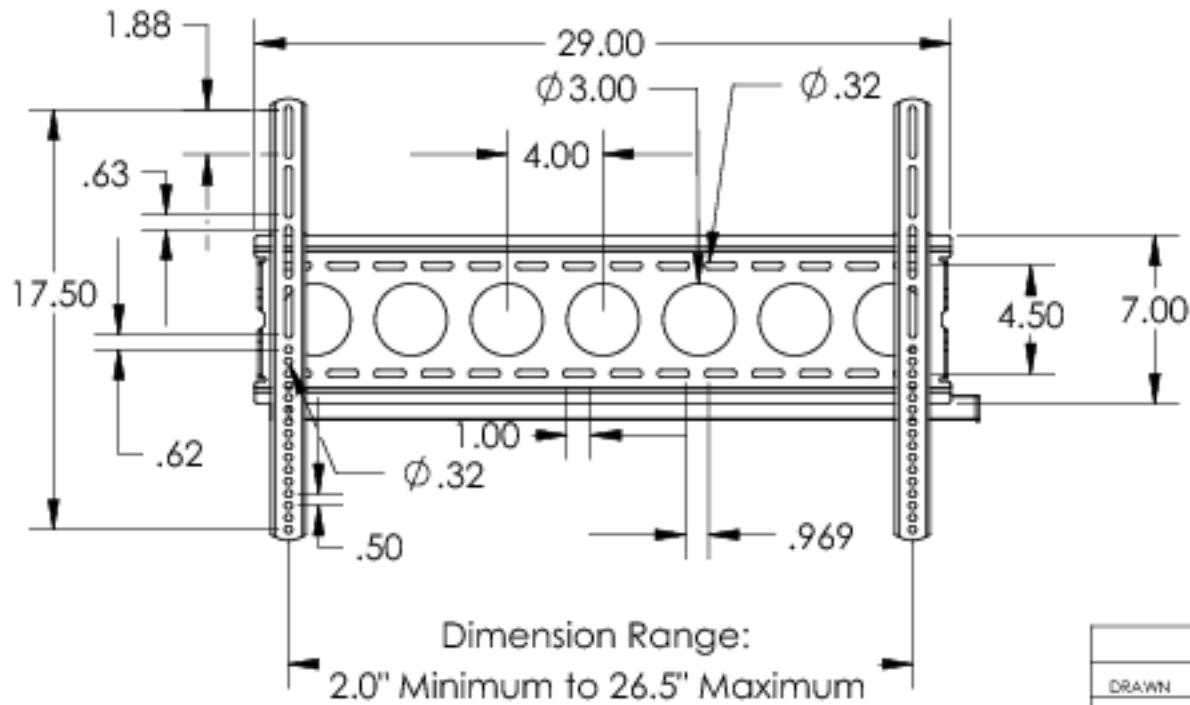
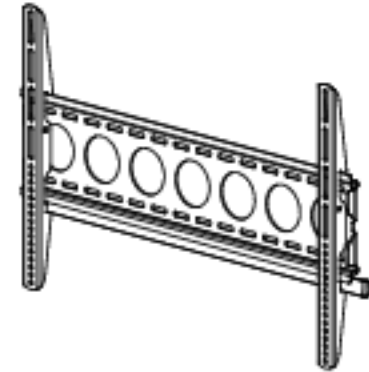


Maximum Weight Capacity: 130 lbs.



		NAME	DATE	SANUS SYSTEMS	
DRAWN	NAS		11/14/05	TITLE: VMPL250	
CHECKED					
ENG. APPR.					
MFG. APPR.					
Q.A.					
<p>PROPRIETARY AND CONFIDENTIAL THE INFORMATION CONTAINED IN THIS DRAWING IS THE SOLE PROPERTY OF SANUS SYSTEMS. ANY REPRODUCTION IN PART OR AS A WHOLE WITHOUT THE WRITTEN PERMISSION OF SANUS SYSTEMS IS PROHIBITED.</p> <p>Low Profile Wall Mount</p>				SCALE: 1:8	SHEET 1 OF 1