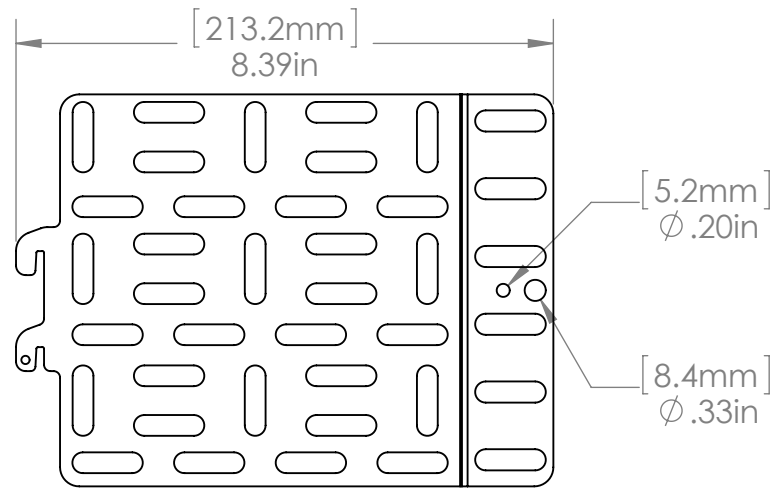


TV INTERFACE

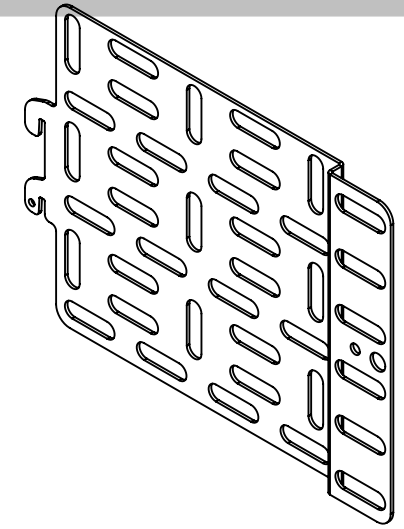


SANUS[®]

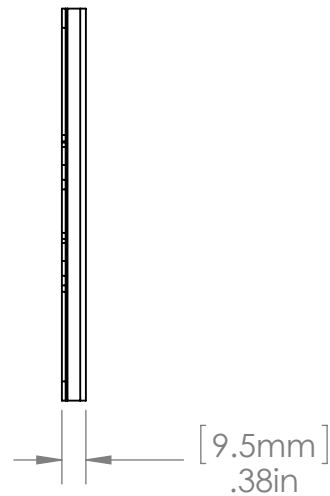
SMALL PARTS PANEL 6805-002229

THE INFORMATION AND DESIGNS CONTAINED IN THIS DRAWING ARE CONFIDENTIAL AND THE PROPRIETARY PROPERTY OF MILESTONE AV TECHNOLOGIES NEITHER THIS DESIGN NOR ANY INFORMATION CONTAINED IN THIS DRAWING MAY BE REPRODUCED OR DISCLOSED TO OTHERS WITHOUT THE EXPRESS WRITTEN CONSENT OF MILESTONE AV TECHNOLOGIES. 本图纸所包含的信息和设计均系 Milestone 机密和知识产权，本图纸包含的设计和信息在未经 Milestone 允许情况下均不得复制或泄露

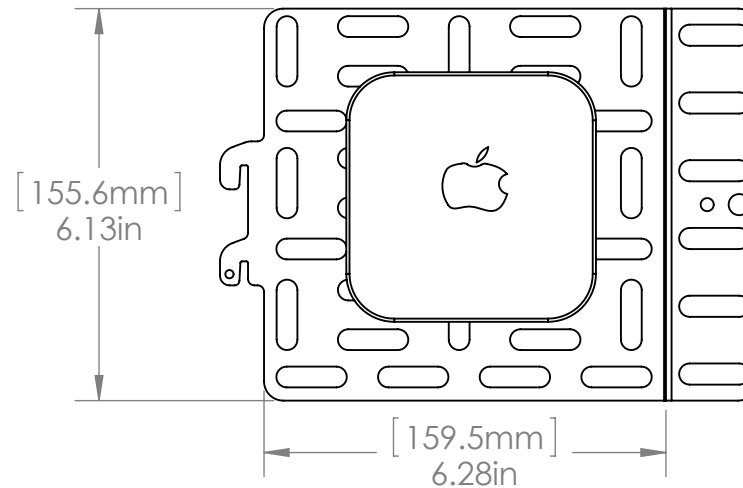
3-D



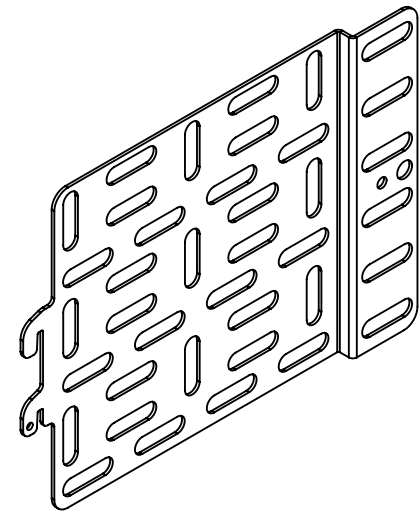
SIDE



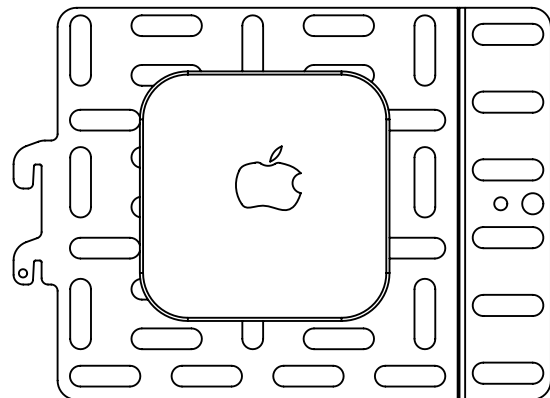
FRONT VIEW WITH DEVICE



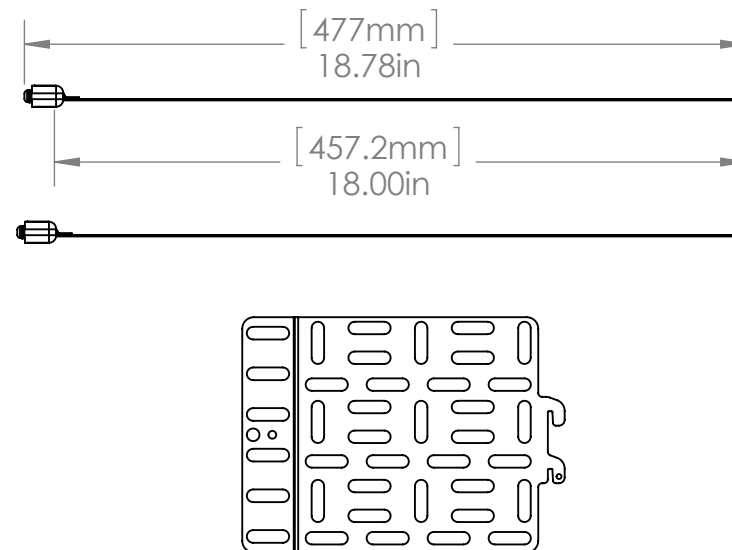
3-D



FULLY ASSEMBLED MOUNT



STRAP DIMENSIONS



SIDE VIEW - RETRACTED

