

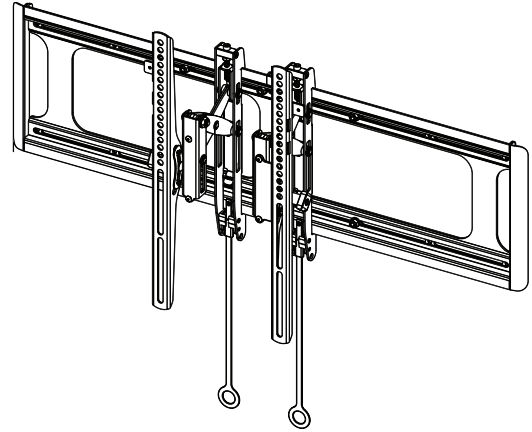
SANUS
E L I T E

A brand of  Legrand

BXT3

Elite Tilting TV Wall Mount

INSTRUCTION MANUAL



Texto en español, página 24

We'll Make It Stress-Free

If you have any questions along the way, just give us a call.

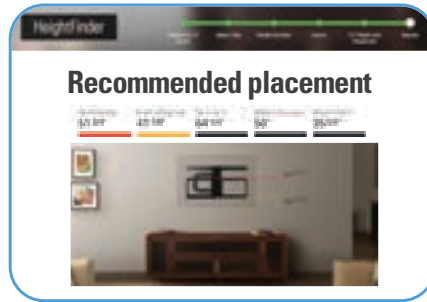
US: +1 (800) 359-5520 We're ready to help!

WE'RE HERE TO HELP



Want to watch a video that shows how easy this DIY project will be?

Watch it now at:
[SANUS.com/2689](https://www.sanus.com/2689)



Get it right the first time. HeightFinder™ shows you where to drill.

Check it out at:
[SANUS.com/1172](https://www.sanus.com/1172)



Our US-based install experts are standing by to help.

Call us at:
800-359-5520

Or, chat at:
[SANUS.com/chatSP](https://www.sanus.com/chatSP)

IMPORTANT SAFETY INSTRUCTIONS – PLEASE READ MANUAL PRIOR TO USE – SAVE THESE INSTRUCTIONS

Please read through these instructions completely to be sure you're comfortable with this easy install process.

Check your TV owner's manual to see if there are any special requirements for mounting your TV.

If you do not understand these instructions or have doubts about the safety of the installation, assembly or use of this product, contact Customer Service.

⚠ CAUTION: Avoid potential personal injuries and property damage!

- This product is designed ONLY to be installed into wood studs, solid concrete or concrete block, or steel studs.
— **DO NOT INSTALL INTO DRYWALL ALONE — DRYWALL ALONE WILL NOT HOLD THE WEIGHT OF YOUR TV.**
- This product is designed for **INDOOR USE ONLY**.
- The wall must be capable of supporting five times the weight of the TV and mount combined.
- Do not use this product for any purpose not explicitly specified by manufacturer.
- Manufacturer is not responsible for damage or injury caused by incorrect assembly or use.

TV Weight Limit
(including accessories)

DO NOT EXCEED



For **wood** stud and
Solid **Concrete** or
Concrete Block Walls



For **Steel** Stud Walls

If your TV (plus accessories) weighs MORE, this mount is NOT compatible.

Visit SANUS.com or call customer service to find a compatible mount.

Wall Construction

ONLY install on these acceptable wall types.

? Unsure

Call Customer Service

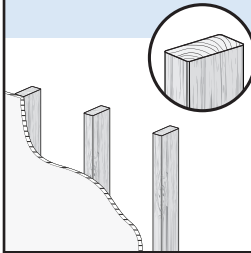
CAUTION:

DO NOT
install in
drywall alone

Drywall
alone will
NOT hold
the weight
of your TV.

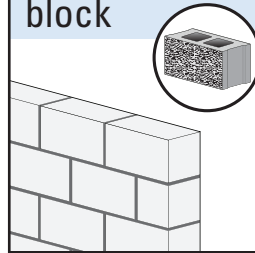


wood studs



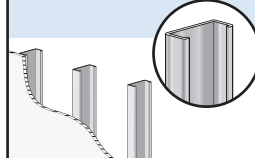
ACCEPTABLE

Solid **concrete**
or concrete
block



ACCEPTABLE

steel studs



ACCEPTABLE

Steel stud kit #SSMK1 is
required [NOT INCLUDED].
See PAGE 14 for details.

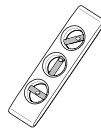
Tools Needed



Tape Measure



Pencil



Level



Tape



Screwdriver



Electric Drill



Socket Wrench
1/2 in.
(13 mm)

Wood Stud Install



Stud Finder



Awl



7/32 in.
(5.5 mm)
Wood
Drill Bit

Concrete Install



3/8 in.
(10 mm)
Concrete
Drill Bit



Hammer

Steel Stud Install



Stud Finder



Awl



1/2 in.
(13 mm)
Steel
Drill Bit

Supplied Parts and Hardware

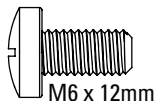
⚠ WARNING: This product contains small items that could be a choking hazard if swallowed. Before starting assembly, verify all parts are included and undamaged. If any parts are missing or damaged, do not return the damaged item to your dealer; contact Customer Service. Never use damaged parts!

📄 NOTE: Not all hardware included will be used.

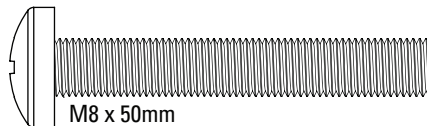
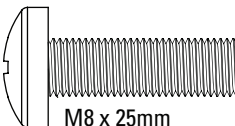
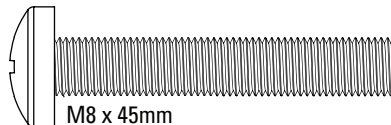
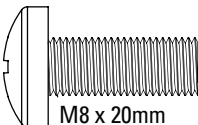
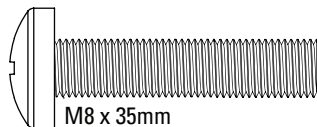
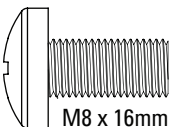
Parts and Hardware for STEP 1

01 TV Screws
(qty. 4 each) [Only one size fits your TV]

M6

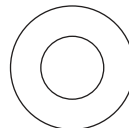


M8



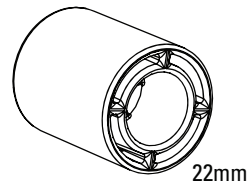
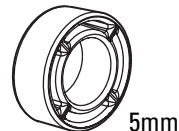
02 Washers
(qty. 4 each)

M6/M8

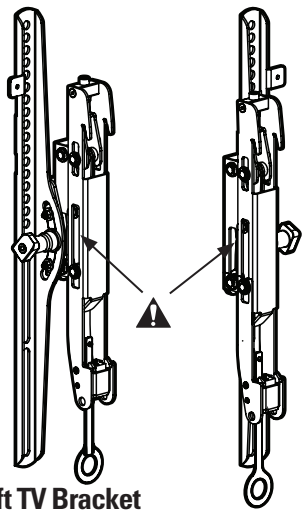


03 Spacers [If necessary]
(qty. 4 each)

M6/M8



Parts for STEP 1 [CONTINUED]



Left TV Bracket

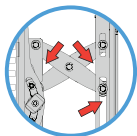
04 (qty. 1)

Right TV Bracket

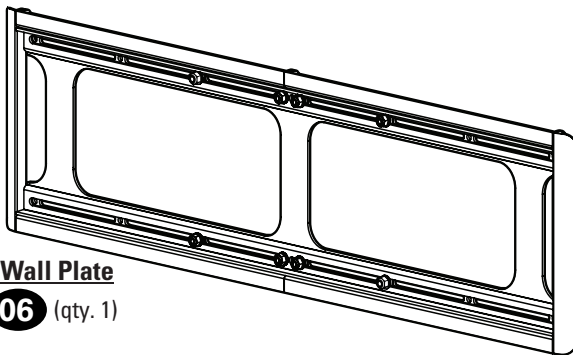
05 (qty. 1)

CAUTION:
Avoid potential personal injury!

The TV brackets contain potential pinch points during operation. Keep fingers away from pinch points when retracting your TV. (arrows)

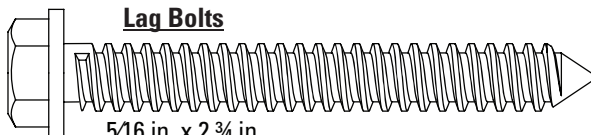


Parts and Hardware for STEP 2



Wall Plate

06 (qty. 1)



Lag Bolts

5/16 in. x 2 3/4 in.

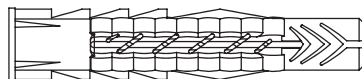
07 (qty. 8)

For concrete installations ONLY

CAUTION: Do not use in drywall or wood

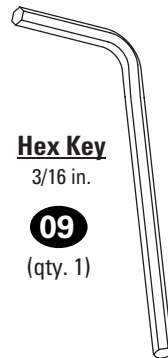
Concrete Anchors

08
(qty. 8)



Fischer UX10 x 60R

Adjustments



Hex Key

3/16 in.

09

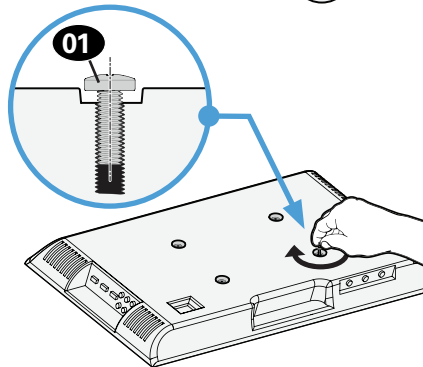
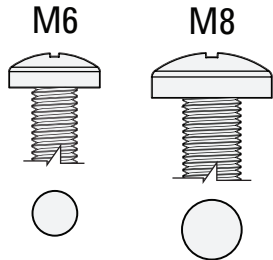
(qty. 1)

STEP 1

Attach Brackets to TV

1.1 Select TV Screw Diameter

Only one screw size fits your TV.

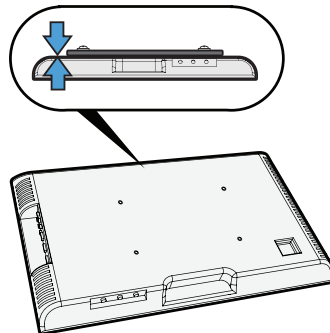


1.2 Select TV Screw Length and Spacers

A NO SPACER

- **Flat Back TV**
[TV brackets **04**/**05** lay flat on your TV]

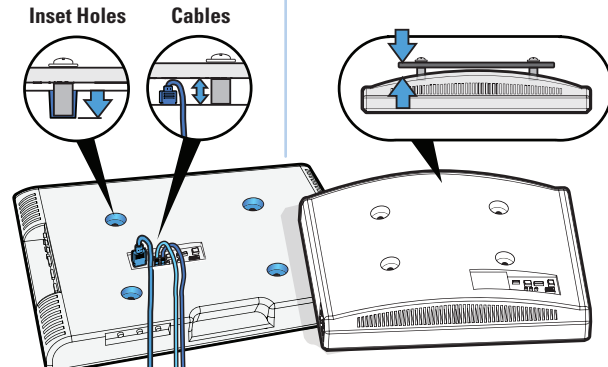
Use **short** TV screws **01**.
Spacers **03** not needed.



B SPACER NEEDED

- **Flat Back TV with Extra Space Needed**
[for deep inset holes or cable interference]
- **Rounded or Irregular Back TV**
[TV brackets **04**/**05** NOT resting flat on your TV]

Use **long** TV screws **01** and spacers **03** to create extra space between the TV and TV bracket.

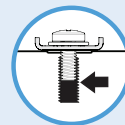


CAUTION: Verify adequate thread engagement with your screw **01**, washer **02**, spacer **03** combination AND TV bracket **04**/**05**.
— Too short will not hold your TV. — Too long will damage your TV.

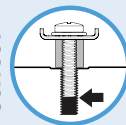
Too Short



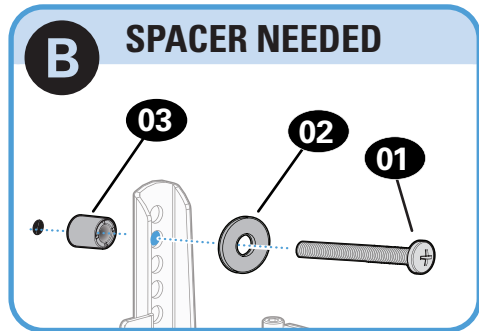
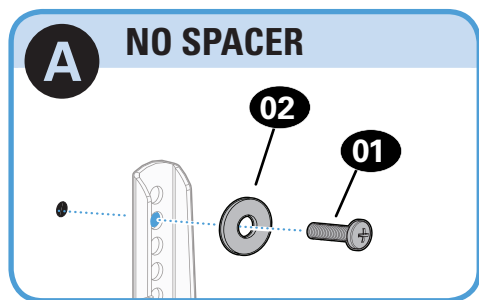
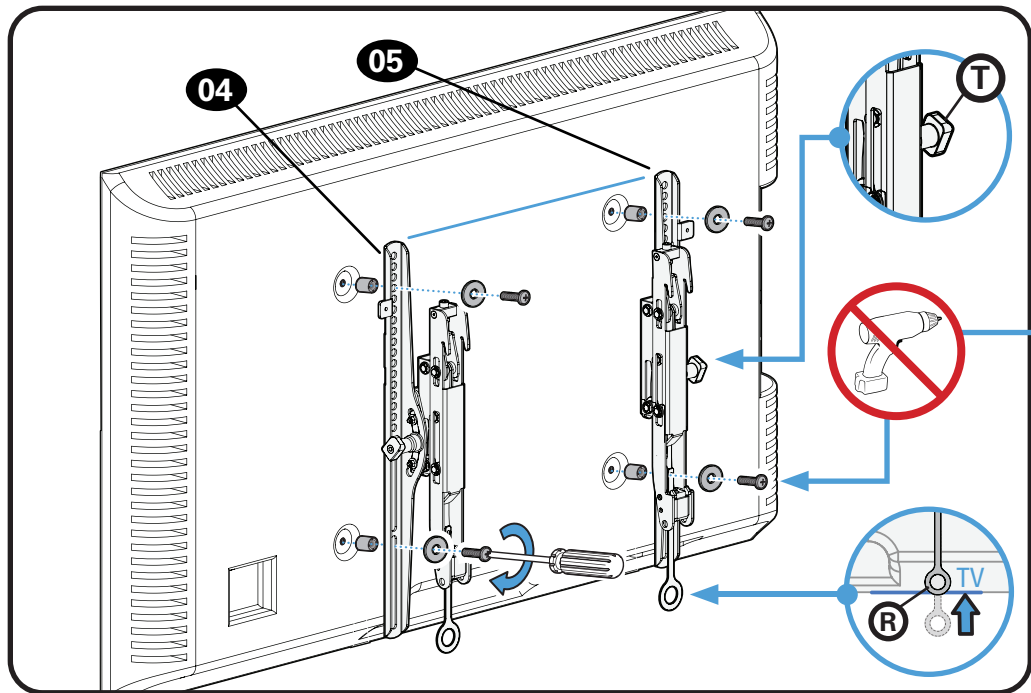
Too Long



Correct




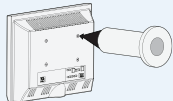
1.3 Attach TV Brackets to Your TV



Center TV brackets **04** and **05** over your TV's hole pattern and attach using screw combination **A** or **B** you selected for your TV.

NOTE: The tilt tension knob **T** on TV brackets **04** and **05** should be oriented to the outside edges.

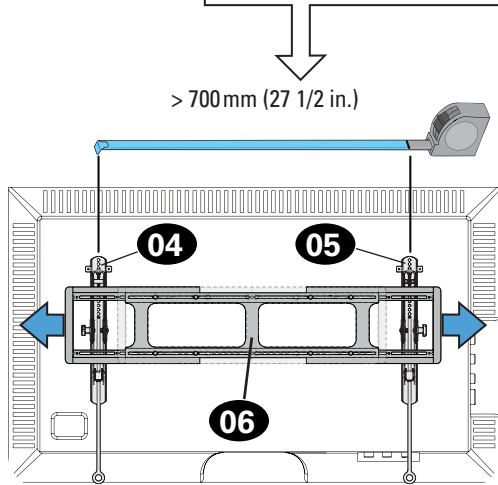
Adjust the release tabs **R** to the bottom of the TV.

 If your TV included inset spacers or wall mount adapters, see Troubleshooting (PAGE 22). 

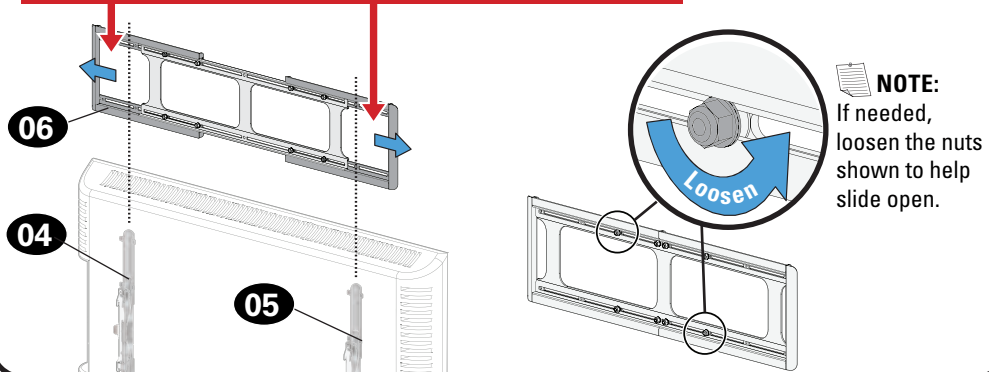
STEP 2

Attach Wall Plate to Wall

For TV VESA **width greater than 700 mm**, extend the wall plate to accommodate the TV brackets.



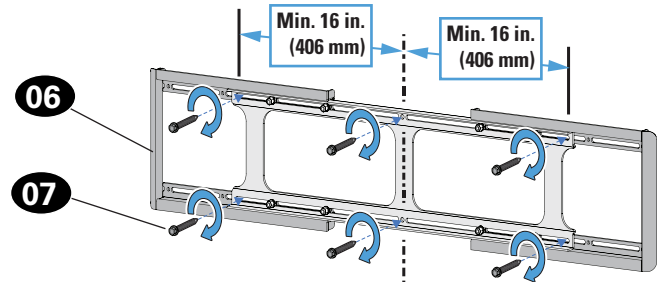
⚠ WARNING: Avoid potential personal injuries!
These areas could be pinch points when sliding back together.



⚠ CAUTION: Avoid potential personal injuries and property damage!

FOR EXTENDED WALL PLATES:

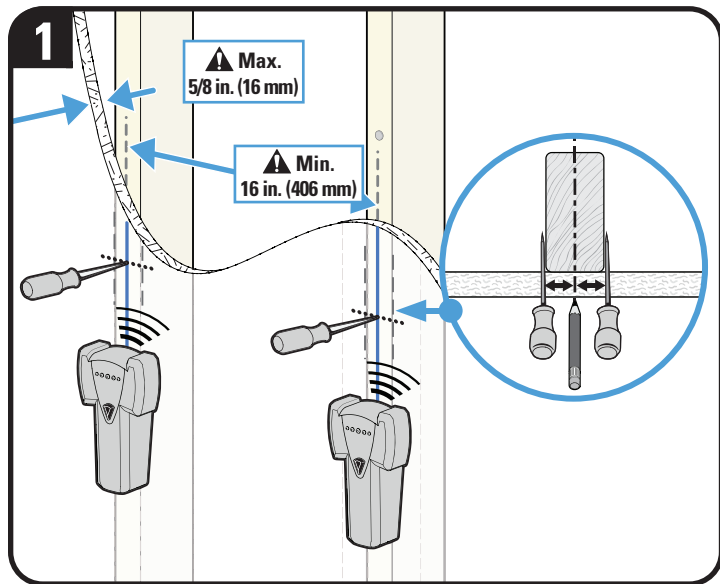
You **MUST** install 2 lag bolts **07** into the center (top and bottom) of wall plate **06**, then a minimum of 16 in. (406 mm) out from center, for a minimum of 6 lag bolts total.





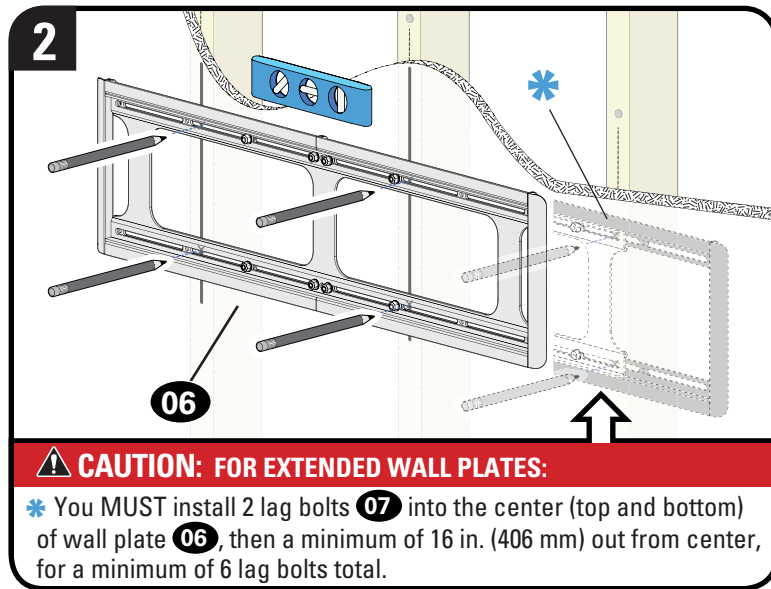
⚠ CAUTION: Avoid potential personal injury or property damage!

- Drywall covering the wall must not exceed 5/8 in. (16 mm)
- Minimum wood stud size: nominal 2 x 4 in. (51 x 102 mm) actual 1 ½ x 3 ½ in. (38 x 89 mm)
- Minimum horizontal space between fasteners: 16 in. (406 mm)
- Stud centers must be verified



Locate studs. Verify the center of the stud(s) using an awl, a thin nail, or an edge to edge stud finder.

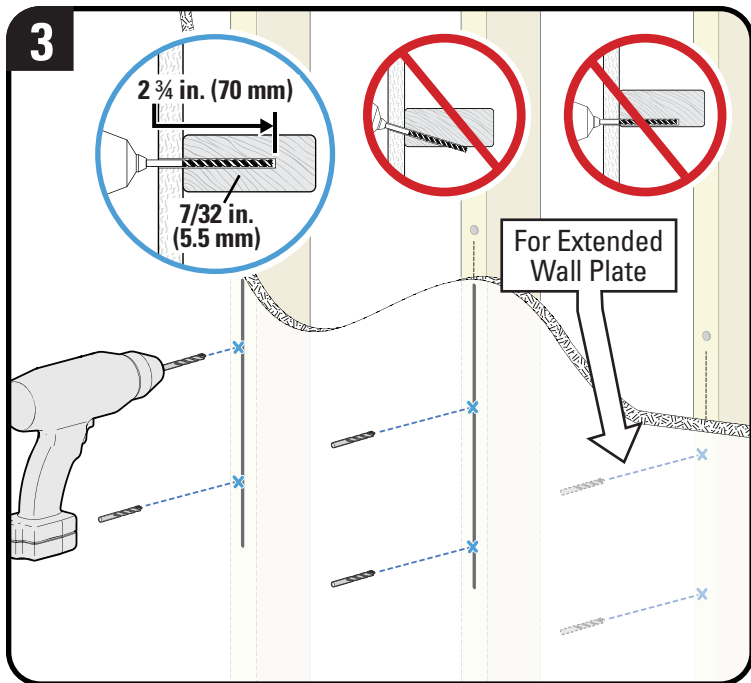
10



⚠ CAUTION: FOR EXTENDED WALL PLATES:

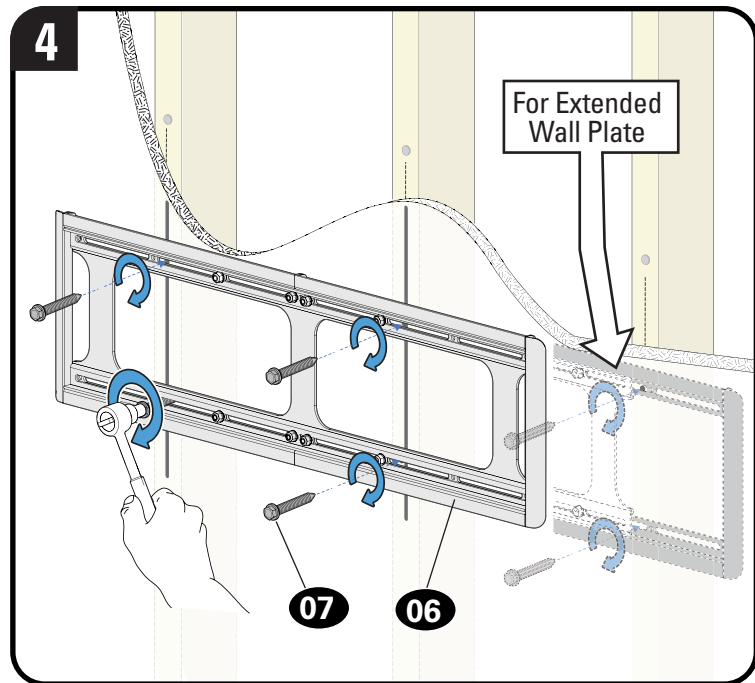
- * You **MUST** install 2 lag bolts **07** into the center (top and bottom) of wall plate **06**, then a minimum of 16 in. (406 mm) out from center, for a minimum of 6 lag bolts total.

Place wall plate **06** at your desired height, over your stud center lines. Level the wall plate **06** and mark the four (or six) hole locations.



Drill the four pilot holes using a 7/32 in. (5.5 mm) diameter drill bit.

! IMPORTANT: Pilot holes must be drilled to a depth of 2 3/4 in. (70 mm). Be sure you drill into the center of the stud.



Install wall plate **06** using four (or six) lag bolts **07**. Firmly tighten all lag bolts **07** ONLY until the wall plate **06** is securely fastened to the wall.

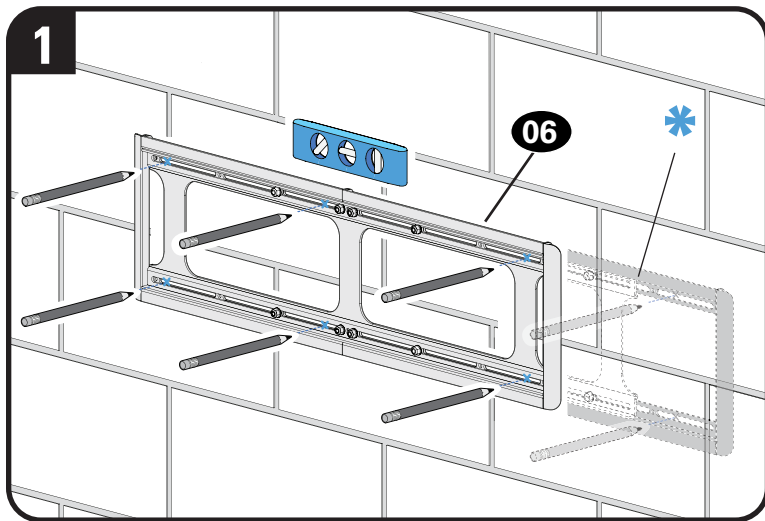
! CAUTION: Avoid potential personal injury or property damage! All lag bolts **07** MUST BE firmly tightened to prevent unwanted movement of the wall plate **06**.

Go to **STEP 3** on **PAGE 18**.



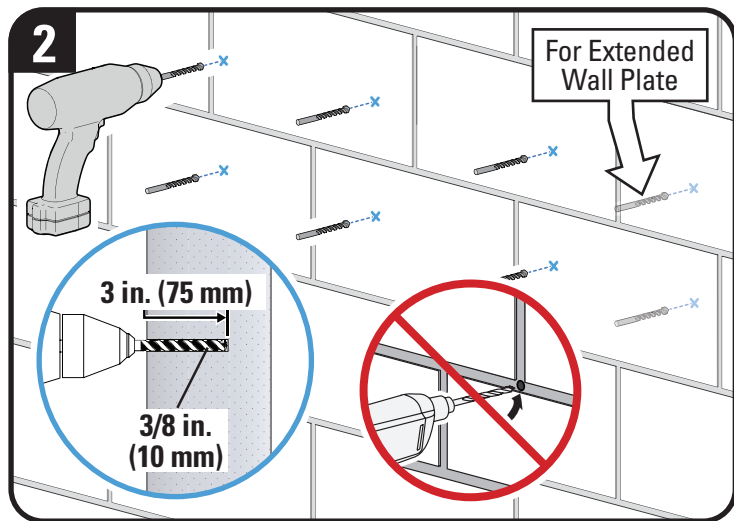
⚠ CAUTION: Avoid potential personal injury or property damage!

- Mount wall plate **06** directly onto concrete surface (no wall covering)
- Minimum solid concrete thickness: 8 in. (203 mm)
- Minimum concrete block size: 8 x 8 x 16 in. (203 x 203 x 406 mm)
- Minimum of six fasteners (three evenly spaced on top and on bottom)



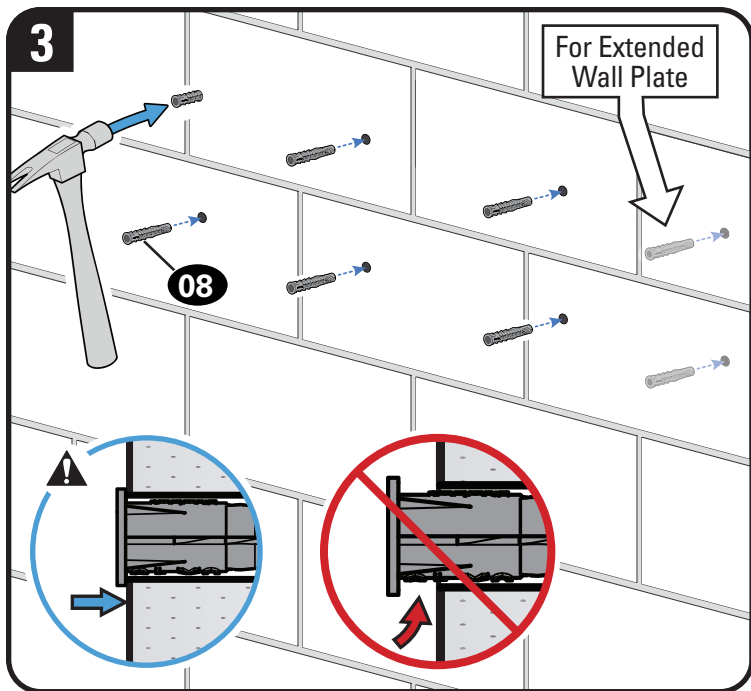
Position wall plate **06** at your desired height. Level and mark the six (or eight) hole locations. *

⚠ CAUTION: FOR EXTENDED WALL PLATES: * You MUST install 2 lag bolts **07** into the center (top and bottom) of wall plate **06**, then a minimum of 16 in. (406 mm) out from center, for a minimum of 6 lag bolts total.



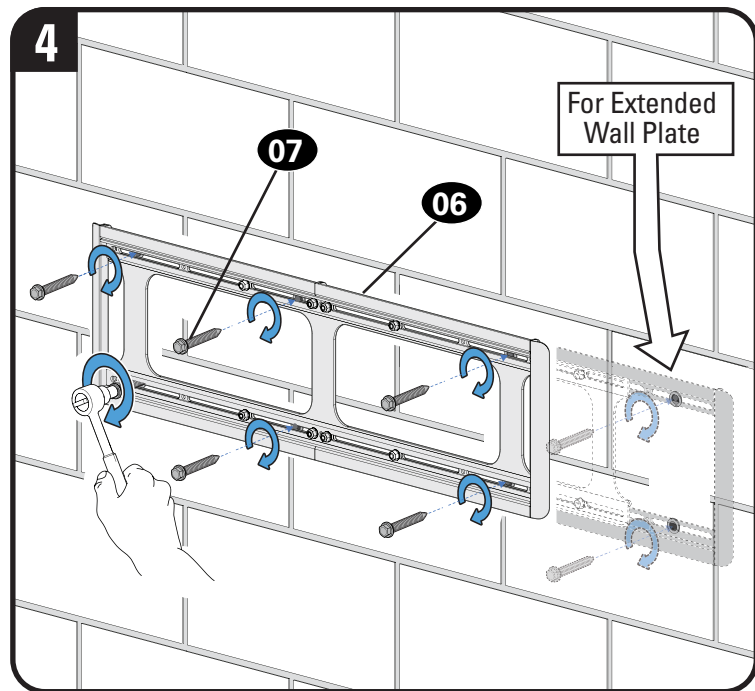
Drill six (or eight) pilot holes using a 3/8 in. (10 mm) diameter drill bit.

! IMPORTANT: Pilot holes must be drilled to a depth of 3 in. (75 mm). Never drill into the mortar between blocks.



Insert six (or eight) anchors **08**.

⚠ CAUTION: Be sure the anchors **08** are seated flush with the concrete surface.



Install wall plate **06** using six (or eight) bolts **07**. Firmly tighten all lag bolts **07** ONLY until the wall plate **06** is securely fastened to the wall.

⚠ CAUTION: Avoid potential personal injury or property damage! All lag bolts **07** MUST BE firmly tightened to prevent unwanted movement of the wall plate **06**.

Go to STEP 3 on PAGE 18.

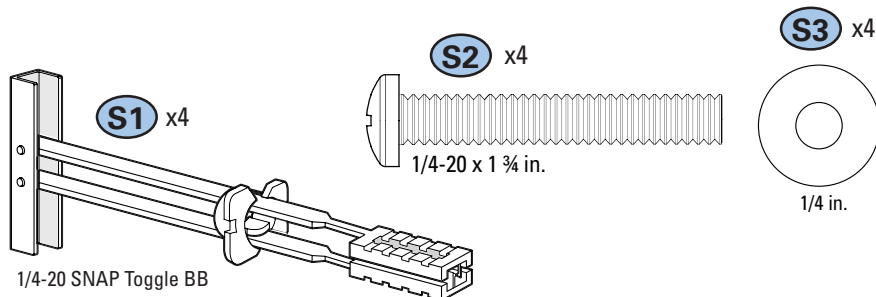


⚠ CAUTION: Avoid potential personal injury or property damage!

- Studs must be at least 2x4 / 25 ga.
- If back side of wall is unfinished, drywall must be installed to a minimum of one stud left and right of the stud(s) being used to install the mount
- Drywall must be a minimum of 1/2 in. (13 mm) thick on each side of the studs, and a minimum clearance of 1 7/8 in. (48 mm) behind the wall is required
- This product must be centered on the studs
- Stud type and structural strength must conform to the North American Specification for the Design of Cold-Formed Steel Structural Members [362 S 125 18, C-Shape, S - Stud Section]
- Drywall must be secured to studs with screws 12 in. (304.8 mm) on center

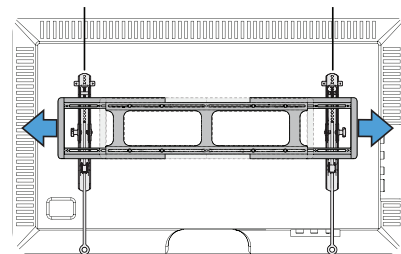


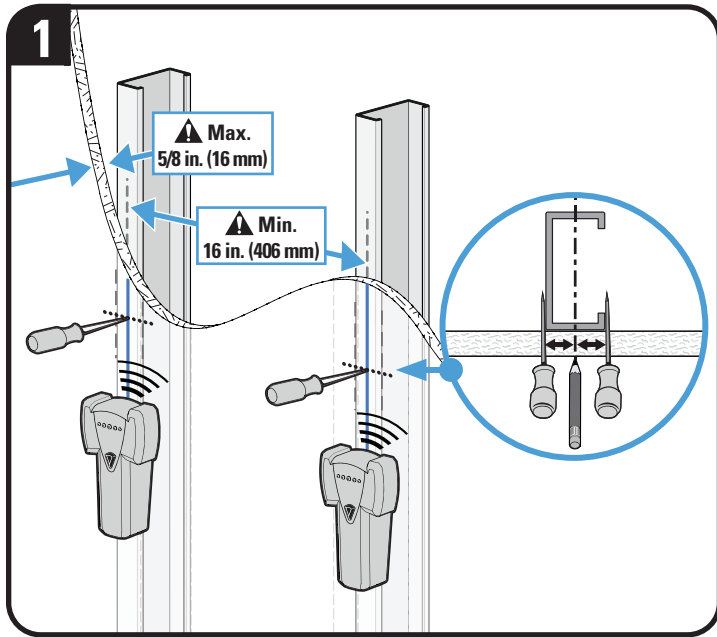
Steel Stud Installation Kit #SSMK1 is NOT INCLUDED *



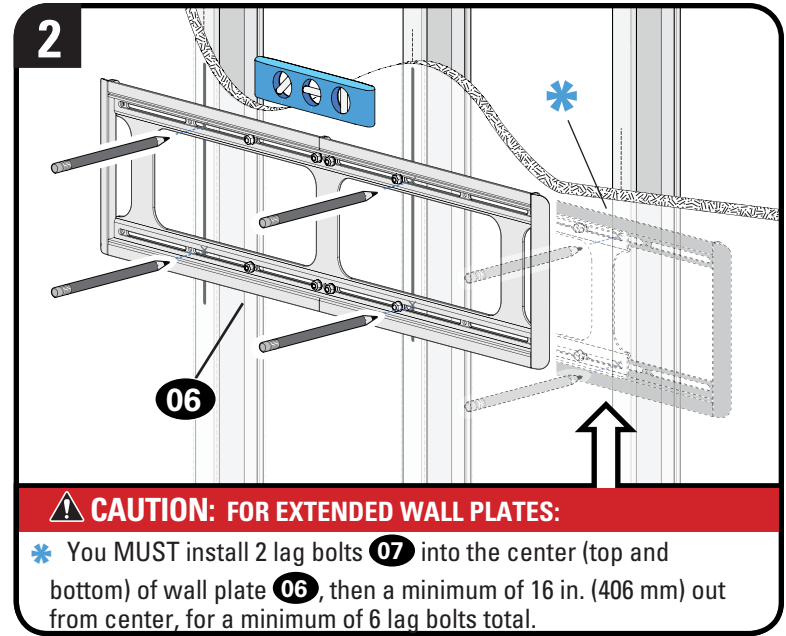
Contact Customer Service at 800-359-5520 to inquire about the SSMK1 kit.

*** NOTE:**
Two (2) kits are required
 if you need to extend wall
 plate **06** to fit your TV
 (see PAGE 9).

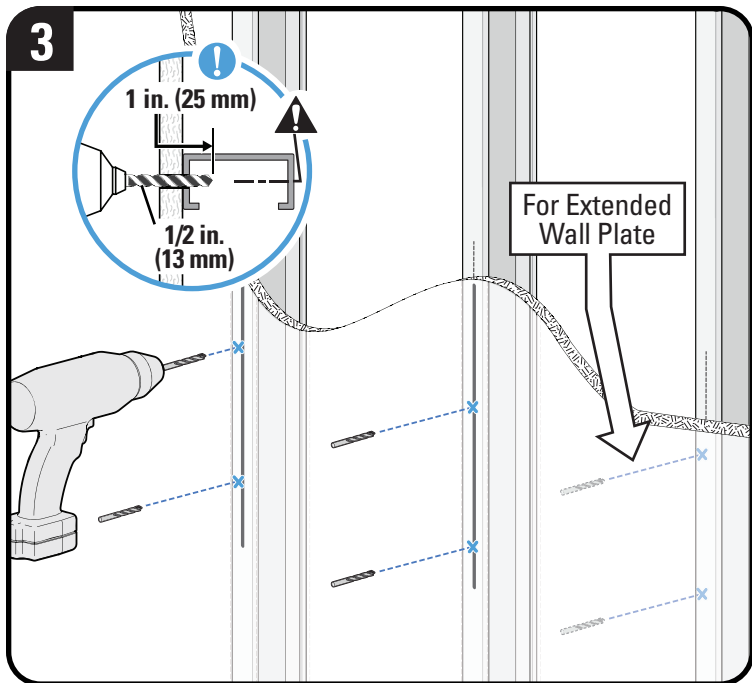




Locate studs. Verify the center of the stud(s) using an awl, a thin nail, or an edge to edge stud finder.

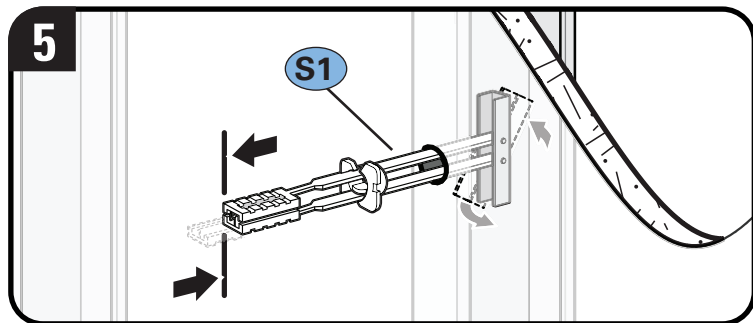
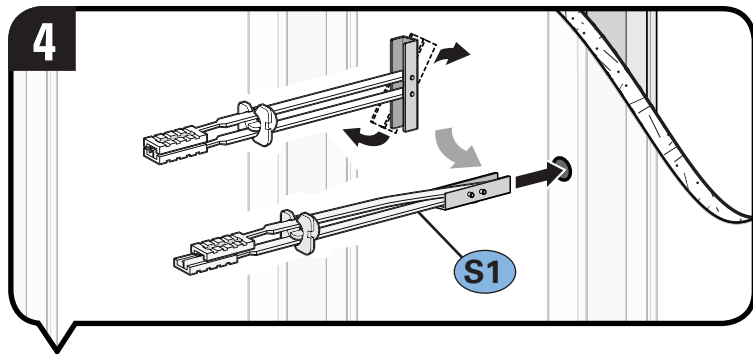


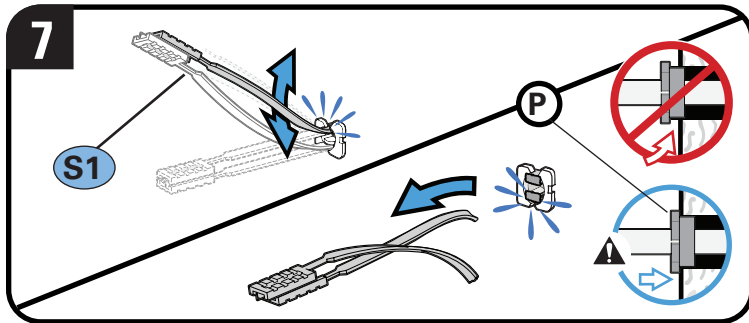
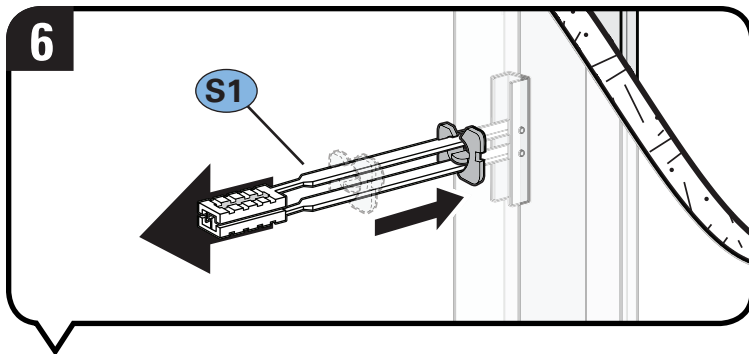
Place wall plate **06** at your desired height, over your stud center lines. Level the wall plate **06** and mark the four (or six) hole locations.



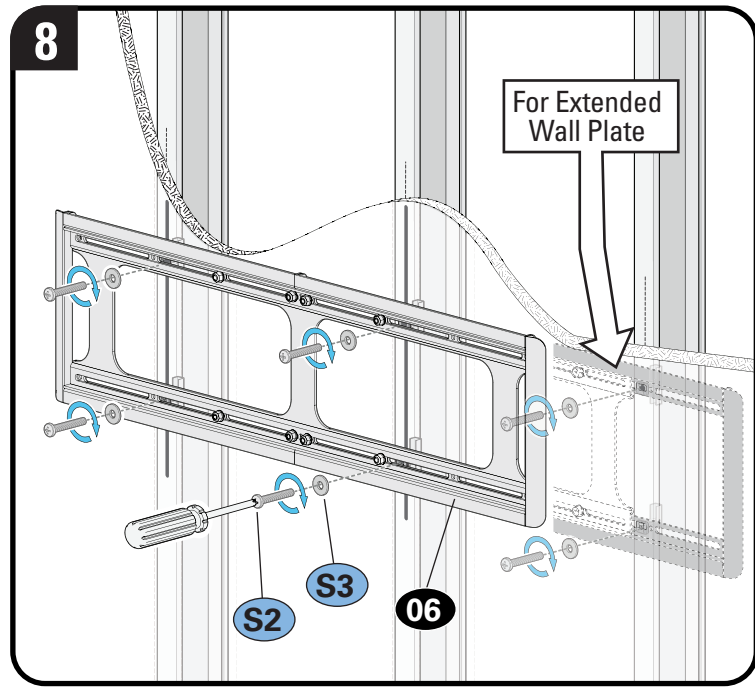
Drill the pilot holes using a 1/2 in. (13 mm) diameter drill bit.

! IMPORTANT: Pilot holes must be drilled to a depth of 1 in. (25 mm). Be sure you drill into the center of the stud.





CAUTION: Be sure cap **P** is seated against the drywall surface.



Install wall plate **06** using four (or six) screws **S2** and washers **S3**. Firmly tighten all screws **S2** ONLY until the wall plate **06** is securely fastened to the wall.

CAUTION: Avoid potential personal injury or property damage!

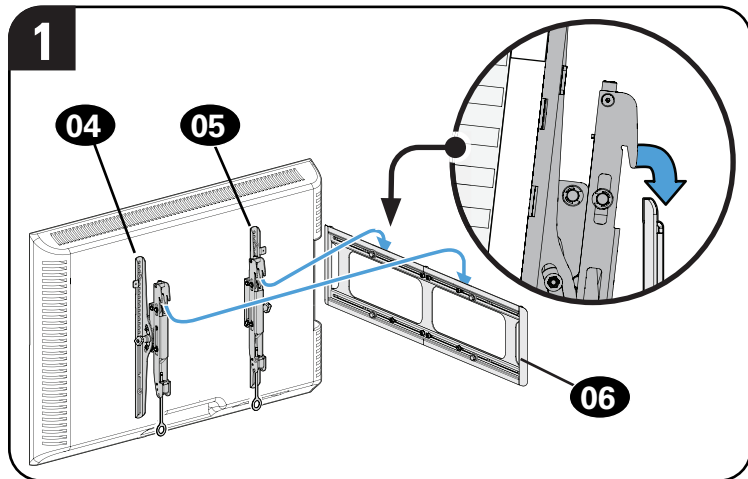
All lag bolts **S2** MUST BE firmly tightened to prevent unwanted movement of the wall plate **06**.

STEP 3

Attach TV to Wall Plate



HEAVY! You may need assistance with this step.

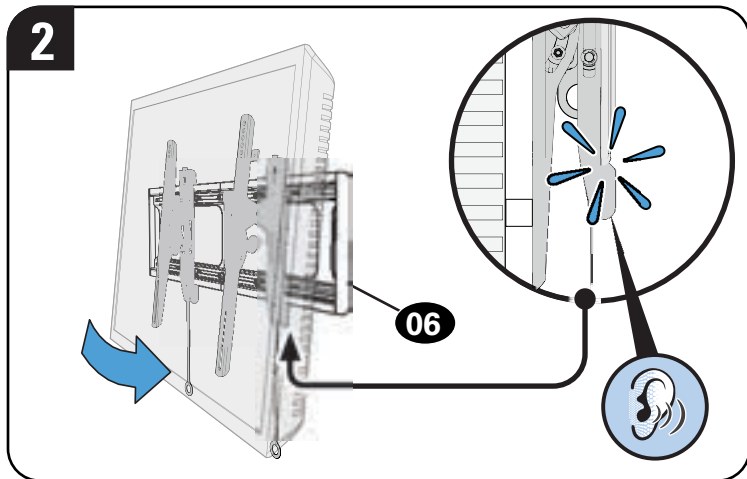
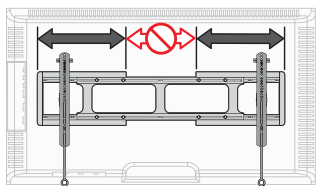


Hook the TV/brackets **04** and **05** onto the wall plate **06**. **

! CAUTION: Avoid potential personal injury or property damage!

** For extended wall plates:

TV brackets **04** and **05** must only hang on the **OUTER** sections wall plate **06**.



Press the bottom of the TV into the wall plate **06** until you hear the lock click, securing the TV in place.

! CAUTION: Avoid potential personal injury or property damage!

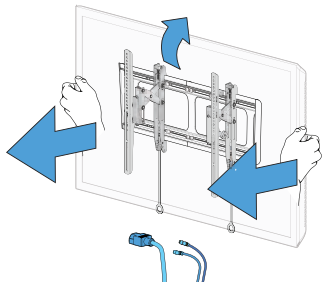
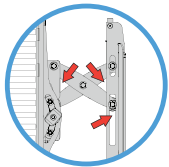
Always make sure your TV brackets **04** and **05** are in the locked position so the TV is securely fastened to the wall plate **06**.

Manage Cables

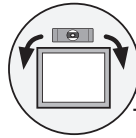
Move your TV to various positions, as needed to attach your cables, then adjust the TV as desired.

! CAUTION:
Avoid potential personal injury!

The TV brackets contain potential pinch points during operation. Keep fingers away from pinch points when retracting the TV. (see arrows)

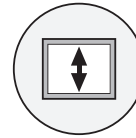
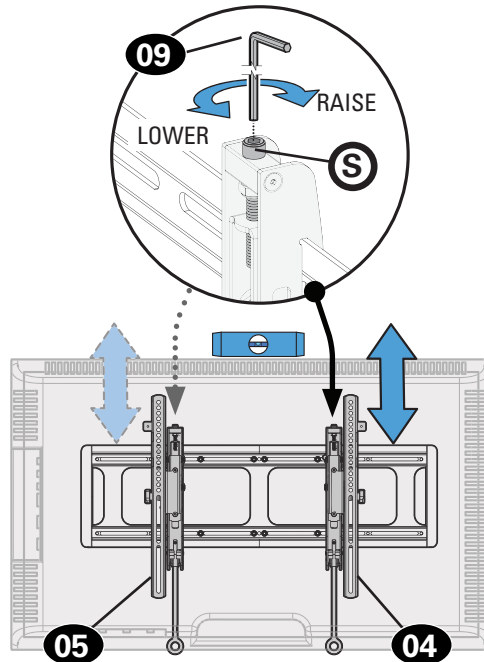


Adjustments



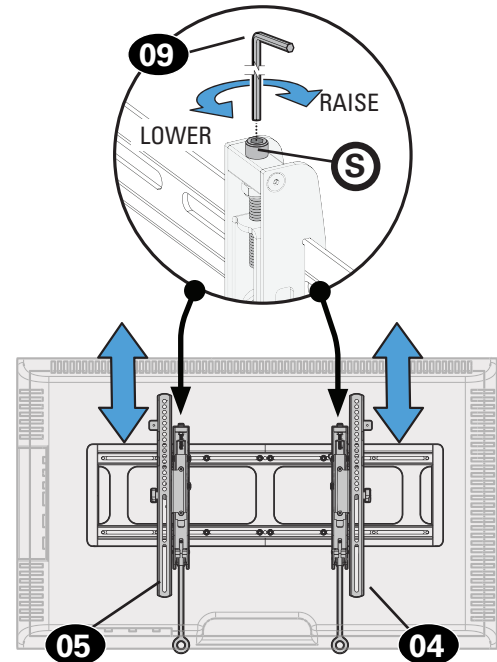
LEVEL

To level your TV, turn the level adjustment screw **(S)** on the top of either TV bracket **(04)** and **(05)** to raise or lower that respective side of the TV.



HEIGHT

Adjust the height by turning the level adjustment screw **(S)** on the top of BOTH TV brackets **(04)** and **(05)**.



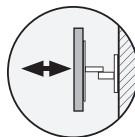
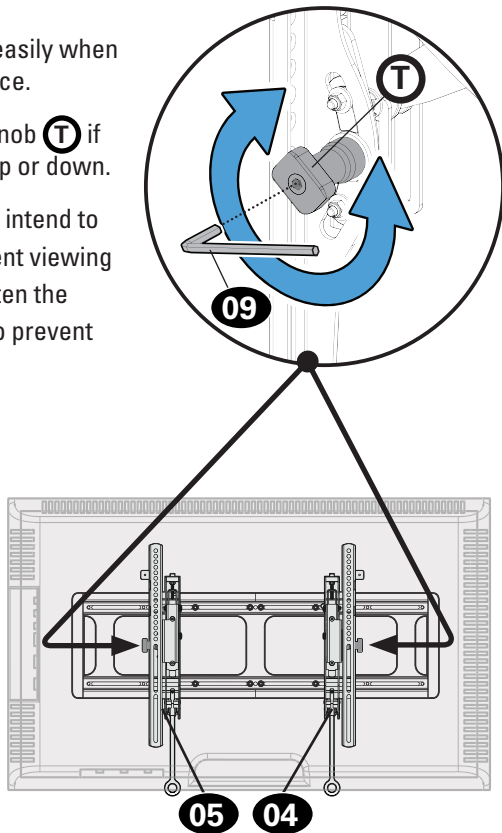
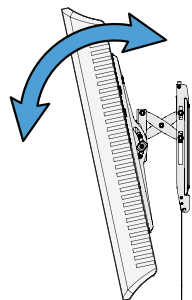


TILT

Your TV should adjust easily when moved, then stay in place.

Adjust the tilt tension knob **T** if your TV naturally tilts up or down.

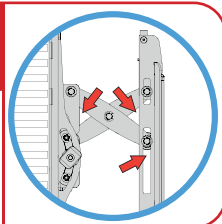
NOTE: If you do not intend to adjust the tilt for different viewing locations, you can tighten the tilt tension knobs **T** to prevent unwanted movement.



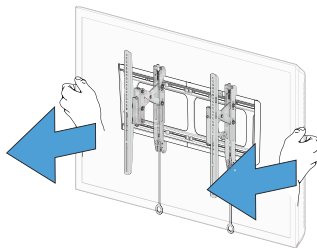
EXTEND / RETRACT

CAUTION:
Avoid potential personal injury!

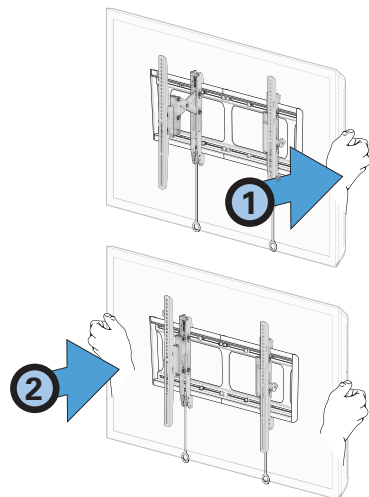
The TV brackets contain potential pinch points during operation. Keep fingers away from pinch points when retracting the TV. (see arrows)

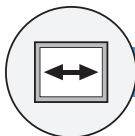


EXTEND



RETRACT

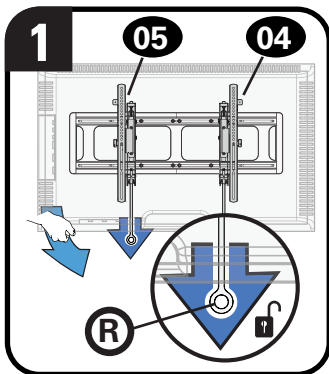




TV LATERAL SHIFT



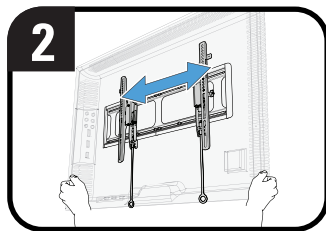
CAUTION: Avoid potential personal injury or property damage! Two people are strongly recommended for this step.



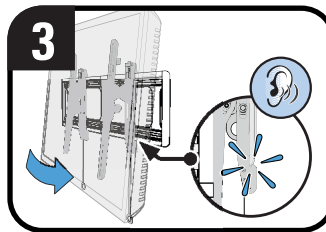
To unlock your TV: Pull down AND HOLD both release tabs (R) while gently pulling the bottom of the TV away from the wall.

CAUTION: Avoid potential personal injury or property damage!

To prevent breaking the locking latch: always pull and hold release tabs (R) down while pulling the TV away from the wall.



Lift your TV up then carefully reposition on the wall plate. The wall plate (06) has stops to limit lateral movement.



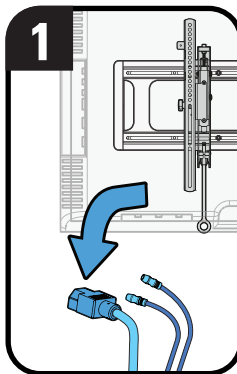
Press the bottom of your TV into the wall plate (06) until you hear the lock click, securing the TV in place.



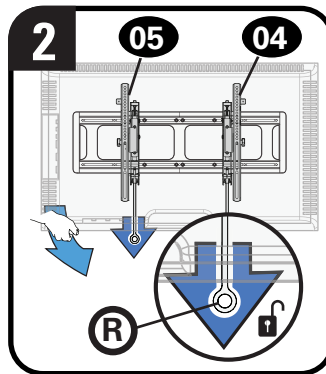
REMOVING THE TV



HEAVY! You may need assistance with this step.



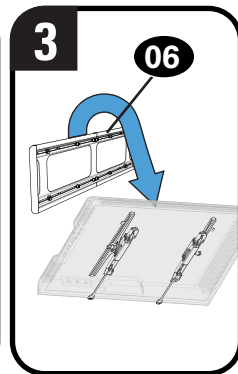
Disconnect all cables from the TV.



To unlock your TV: Pull down AND HOLD both release tabs (R) while gently pulling the bottom of the TV away from the wall.

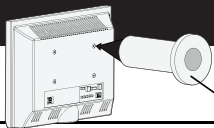
CAUTION: Avoid potential personal injury or property damage!

To prevent breaking the locking latch: always pull and hold release tabs (R) down while pulling the TV away from the wall.



Lift the TV up and off of wall plate (06).

NOTE: To rehang the TV, follow the procedures in STEP 3 on PAGE 18.



TV Supplied Spacers

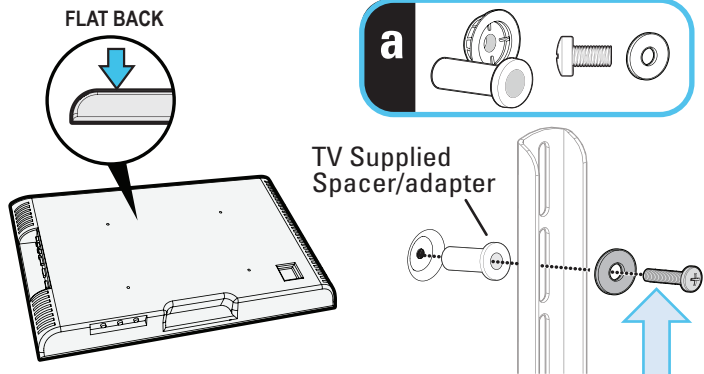
If you are uncertain about your hardware selection, contact Customer Service at 800-359-5520.

TV supplied spacers

a: Use your TV supplied spacer for:

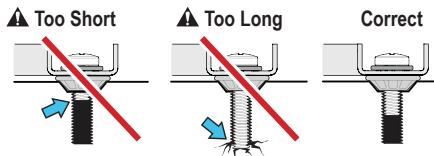
- **Flat Back TV** [TV brackets lay flat on your TV]

NOTE: M8 screws can be used without the washer for extra thread engagement.



CAUTION: Avoid potential injury or property damage!
Use the correct screw length for adequate thread engagement.

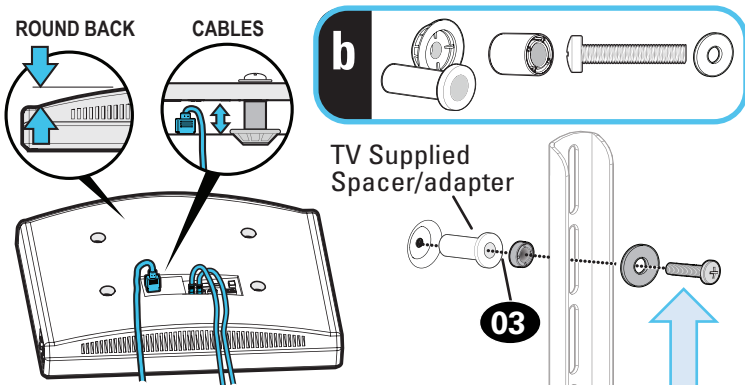
- Too short will not hold the TV.
- Too long will damage the TV.



b: Use your TV supplied spacer and spacer **03** for:

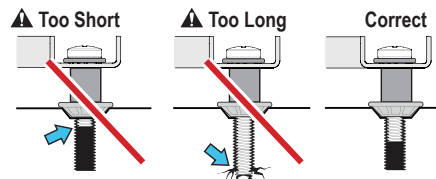
- **Flat Back TV with Extra Space Needed** [for deep inset holes or cable interference]
- **Rounded or Irregular Back TV** [TV brackets NOT resting flat on your TV]

NOTE: M8 screws can be used without the washer for extra thread engagement.

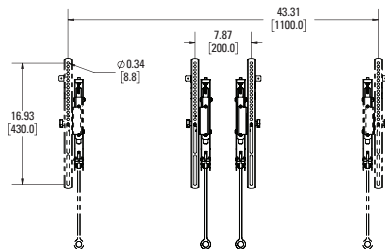


CAUTION: Avoid potential injury or property damage!
Use the correct screw length for adequate thread engagement.

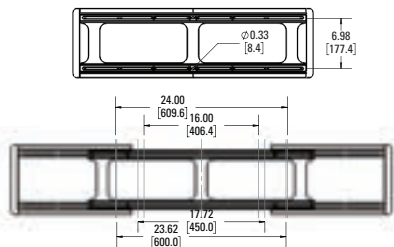
- Too short will not hold the TV.
- Too long will damage the TV.



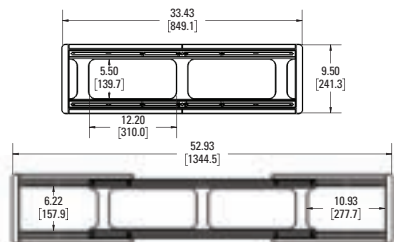
TV INTERFACE



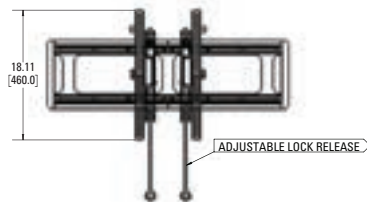
WALL PLATE



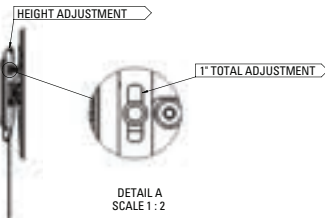
WALL PLATE OPENING



FEATURES



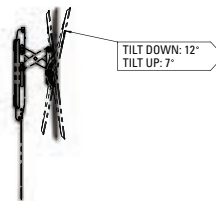
FEATURES



3-D



SIDE VIEW - TILT



SIDE VIEW - DEPTH



Lea atentamente estas instrucciones en su totalidad para asegurarse de que está familiarizado con el sencillo proceso de instalación.

Consulte igualmente el manual de su televisor para conocer si existen requisitos especiales para el montaje de su aparato.

Si no entiende las instrucciones o si tiene dudas acerca de la seguridad de la instalación, el montaje o el uso del producto, póngase en contacto con el Servicio de Atención al Cliente o llame a nuestro servicio técnico al número 800-359-5520.

⚠ PRECAUCIÓN: Evite posibles lesiones personales y daños materiales.

- Este producto se ha diseñado para su uso en montantes de madera, hormigón macizo y paredes de bloques de hormigón y en paredes con montantes de acero: **NO lo instale en paredes únicamente de yeso**
- La pared debe ser capaz de soportar hasta cinco veces el peso combinado del televisor y la montura
- No utilice este producto para ningún otro propósito que no sea el explícitamente especificado por el fabricante
- El fabricante no se responsabiliza de ningún daño o lesión resultante del montaje incorrecto o el uso indebido

Peso máximo
(incluidos los accesorios)

NO EXCEDAS



Pour les murs de cloison sèche et béton coulé ou blocs de béton



Pour murs à montants en acier

Si su TV (incluidos los accesorios) pesa MÁS, esta soporta **NO** es compatible. Visite Simplicity.SANUS.com o llame al número 800-359-5520 para encontrar una montura compatible.

La construcción de su pared

SOLAMENTE instalar en estos tipos aceptables de la pared.

? ¿No está seguro?

Llame al Servicio de Atención al Cliente

⚠ PRECAUCIÓN:

NO lo instale en tabiques únicamente de yeso

Instalación en paneles de yeso solo **NO** soportará el peso de su TV.



Montantes de madera

ACEPTABLE

Hormigón macizo o bloque de hormigón

ACEPTABLE

Montantes de acero

ACEPTABLE

Se requiere el kit para montantes de acero #SSMK1 [no incluido]. Ver la página 14 para detalles.

herramientas necesarias



Cinta métrica



Lápiz



Nivel



Cinta Adhesiva



Destornillador



Taladro eléctrico



13 mm (1/2")
Llave de vaso

Montantes de Madera

Localizador de montantes
Punzón
5.5 mm (7/32") Madera Broca

Montantes de Cemento

10 mm (3/8") Hormigón Broca
Martillo

Montantes de Acero

Localizador de montantes
Punzón
13 mm (1/2") Acero Broca

Piezas y accesorios suministrados

VER PÁGINAS 5-6

⚠ ADVERTENCIA: Este producto contiene piezas pequeñas que, si fuesen tragadas, podrían producir asfixia. Antes de iniciar el ensamblaje, compruebe que todas las piezas estén incluidas y en buenas condiciones. Si faltan piezas o alguna está dañada, no devuelva el artículo al distribuidor; póngase en contacto con el servicio de atención al cliente. Nunca utilice piezas deterioradas.

📖 NOTA: No todos los accesorios incluidos deberán utilizarse.

⚠ PRECAUCIÓN: Evite posibles lesiones físicas y daños materiales. Los soportes del televisor pueden contener puntos de compresión durante la operación. Mantenga los dedos alejados de los puntos de compresión al retraer el televisor. (observe las flechas)

SOLO para instalaciones en hormigón

⚠ PRECAUCIÓN: No usar en placas de yeso o montantes de madera



PASO 1 Fijar el soporte al televisor

VER PÁGINA 7

1,1 Seleccione el diámetro de los tornillos

VER PÁGINA 7

Solo un tamaño de tornillo es compatible con su TV.

1,2 Seleccione el largo de los tornillos

VER PÁGINA 7

A SIN ESPACIADOR

- **Televisor con dorso plano**

[Los soportes del televisor **04**/**05** se apoyan de manera plana en él]

Use los tornillos del televisor **cortos** **01**.
No hacen falta espaciadores **03**.

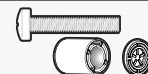


B CON ESPACIADOR

- **Televisor con dorso plano con necesidad de espacio adicional** [para orificios empotrados o interferencia de cables]

Use los tornillos del televisor **largos** **01** y los espaciadores **03** para crear espacio adicional entre el televisor y el soporte.

- **Televisores con dorso plano o irregular** [Los soportes del televisor **04**/**05** NO se apoyan de manera plana en él]



⚠ PRECAUCIÓN: Verifique que el tornillo o la combinación de tornillo **01**, arandelas **02**, espaciador **03** y placas de sujeción del televisor **04**/**05** enrosquen correctamente. Si el tornillo es demasiado corto no sostendrá el televisor. Si es demasiado largo dañará el televisor.

1,3 Fijar la placa de sujeción al televisor

VER PÁGINA 8

? Si su televisor incluye espaciadores empotrados o adaptadores para soportes de pared, consulte la sección Solución de problemas en la PÁGINA 22.

Centre los soportes horizontales del televisor **04** y **05** sobre el patrón de orificios del aparato y fíjelos combinando los tornillos **A** o **B** que eligió para su televisor.

📄 NOTA: Las perillas de tensión de inclinación **T** de las placas de sujeción del televisor **01** y **02** deben orientarse hacia los bordes externos. Ajuste los cables de liberación **R** estar al nivel de la parte inferior del televisor.

PASO 2 Fijar la placa mural

Para televisores VESA **con una anchura superior a 700 mm,** extienda la placa de pared para acomodar los soportes para televisor.

! PRECAUCIÓN: Evite posibles lesiones personales y daños materiales. **Para placas de pared extendidas:** DEBES instalar 2 tornillos tirafondo **07** en el centro (arriba y abajo) de la placa de pared **06**, a continuación, un mínimo de 406 mm (16") fuera del centro, para un mínimo de 6 tornillos tirafondo total.

PASO 2A Fijar la placa de pared



Colocación sobre montantes de madera

VER PÁGINA 10

! PRECAUCIÓN: Evite lesiones personales y daños materiales.

- Los paneles de yeso que cubren la pared no deben superar los 16 mm (5/8 pulg.)
- Tamaño mínimo de los montantes de madera: común 51 x 102 mm (2 x 4 pulg.) nominal 38 x 89 mm (1½ x 3½ pulg.)
- Espacio mínimo entre los elementos de sujeción: 213,4 mm (8,40 pulg.)
- Se deben verificar las partes centrales de los pernos

1. Localice los montantes. Verifique el centro de los montantes con un punzón o un clavo delgado, o bien utilice un detector de bordes de montantes. Marque los centros de los montantes con un lápiz.

2. Coloque la placa mural **06** en la pared a la altura que desee. Nivela la placa mural **06** y marque la ubicación de los orificios.

! PRECAUCIÓN: **Para placas de pared extendidas:** * DEBES instalar 2 tornillos tirafondo **07** en el centro (arriba y abajo) de la placa de pared **06**, a continuación, un mínimo de 406 mm (16") fuera del centro, para un mínimo de 6 tornillos tirafondo total.

3. Haga los orificios guía con una mecha de 5,5 mm (7/32") de diámetro.

! IMPORTANTE: Los orificios guía deben realizarse hasta una profundidad de 70 mm (2¾"). Asegúrese de perforar el centro del montante.

4. Instale la placa mural **06** usando cuatro (o seis) tornillos tirafondo **07**. Apriete con firmeza los pernos tirafondos **07** SOLAMENTE hasta que queden encajados en la placa mural **06**.

! PRECAUCIÓN: Evite posibles lesiones personales y daños materiales. Los tornillos tirafondo **07** DEBEN ESTAR apretados firmemente para evitar que la placa mural **06** se desplace. Asegúrese de que la placa mural está fijada con seguridad a la pared antes de proceder con el siguiente paso.

Continúe con el PASO 3 en la PÁGINA 18.



⚠ PRECAUCIÓN: Evite lesiones personales y daños materiales.

- Instale montaje la placa mural **06** directamente sobre la superficie de hormigón
- Grosor mínimo del hormigón macizo: 203 mm (8 pulg.)
- Tamaño mínimo del bloque de hormigón: 203 x 203 x 406 mm (8 x 8 x 16 pulg.)
- Espacio horizontal mínimo entre los elementos de sujeción: 406 mm (16")

1. Coloque la placa mural **06** en la pared a la altura que desee. Nivele la placa mural **06** y marque la ubicación de los orificios.

⚠ PRECAUCIÓN: Para placas de pared extendidas: * **DEBES** instalar 2 tornillos tirafondo **07** en el centro (arriba y abajo) de la placa de pared **06**, a continuación, un mínimo de 406 mm (16") fuera del centro, para un mínimo de 6 tornillos tirafondo total.

2. Haga los seis orificios guía con una mecha de 10 mm (3/8") de diámetro.

! IMPORTANTE: Los orificios guía deben realizarse hasta una profundidad de 75 mm (3"). Nunca perforo el cemento que une los bloques.

3. Inserte seis anclajes **08**.

⚠ PRECAUCIÓN: Cerciórese de que los anclajes **08** queden nivelados respecto de la superficie de hormigón.

4. Instale la placa mural **06** usando seis tornillos tirafondo **07**. Ajuste los tornillos tirafondo **SOLAMENTE** hasta que queden firmes contra la placa mural **06**.

⚠ PRECAUCIÓN: Evite posibles lesiones personales y daños materiales. Los tornillos tirafondo **07** **DEBEN ESTAR** apretados firmemente para evitar que la placa mural **06** se desplace. Asegúrese de que la placa mural está fijada con seguridad a la pared antes de proceder con el siguiente paso.

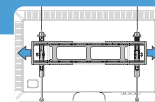
Continúe con el PASO 3 en la PÁGINA 18.

PASO 2C Fijar la placa de pared Colocación sobre montantes de acero

Kit de anclaje para paredes con montantes de acero (no incluido) *

Póngase en contacto con el Servicio de Atención al Cliente en el 800-359-5520

* **NOTA:** Se requieren dos (2) kits si necesita extender la placa de pared **06** para que se ajuste a su televisor (consulte la PÁGINA 9).



⚠ PRECAUCIÓN: Evite lesiones personales y daños materiales.

- Los montantes deben tener al menos 2 x 4 pulgadas / 25 ga. de grosor
- Si la parte posterior de la pared no está terminada, se debe aplicar mampostería al menos en uno de los montantes a la izquierda y a la derecha de los montantes que se empleen para instalar el soporte
- La mampostería debe tener un grosor mínimo de 13 mm (1/2 pulg.) en cada lado de los montantes y una distancia mínima de 48 mm (1 7/8 pulg.) por detrás de la pared
- Los orificios guía DEBEN taladrarse hasta una profundidad de 26 mm (1 pulg.), utilizando una broca de 13 mm (1/2 pulg.) de diámetro
- Este producto debe ubicarse en el centro de los montantes
- El tipo de montante y la resistencia estructural deben ajustarse a la Normativa norteamericana para el diseño de componentes estructurales de acero forjado en frío [362 S 125 18, C-Forma, S - Sección de montante]
- La mampostería se debe fijar a los montantes con tornillos de 304,8 mm (12 pulg.) en el centro

1. Localice los montantes. Verifique el centro de los montantes con un punzón o un clavo delgado, o bien utilice un detector de bordes de montantes. Marque los centros de los montantes con un lápiz.
2. Coloque la placa mural **06** en la pared a la altura que desee. Nivela la placa mural **06** y marque la ubicación de los orificios.

⚠ PRECAUCIÓN: Para placas de pared extendidas: * DEBES instalar 2 tornillos tirafondo **07** en el centro (arriba y abajo) de la placa de pared **20**, a continuación, un mínimo de 406 mm (16") fuera del centro, para un mínimo de 6 tornillos tirafondo total.

3. Haga los orificios guía con una mecha de 13 mm (1/2") de diámetro

! IMPORTANTE: Los orificios guía deben realizarse hasta una profundidad de 25 mm (1"). Asegúrese de perforar el centro del montante.

7. **⚠ PRECAUCIÓN:** Asegúrese de que el obturador **P** está afianzado contra la superficie de la pared de yeso.
8. Instale el montaje de la placa de pared **06** utilizando cuatro (o seis) tornillos **S2** y arandelas **S3**. Apriete todos los tornillos **S2** SOLAMENTE hasta que queden firmemente sujetos contra la placa de pared **06**.

⚠ PRECAUCIÓN: Evite posibles lesiones personales y daños materiales. Los tornillos tirafondo **S2** DEBEN ESTAR apretados firmemente para evitar que la placa mural **06** se desplace. Asegúrese de que la placa mural está fijada con seguridad a la pared antes de proceder con el siguiente paso.

PASO 3 Fije el televisor a la montaje del brazo

VER PÁGINA 18

 ¡PRODUCTO PESADO! Podría necesitar ayuda para realizar esta operación.

1. Cuelgue el módulo televisor-placas 04 y 05 en la placa mural 06.

! PRECAUCIÓN: Evite posibles lesiones personales y daños materiales.

****Para placas de pared extendidas:** Los soportes para televisor 01 y 02 solo deben colgar de la placa de pared de las secciones exteriores 06.

Presione la parte inferior del televisor contra la placa mural 06 hasta que las placas de sujeción fijen el televisor en su lugar.

! PRECAUCIÓN: Evite el riesgo de lesiones y daños materiales. Siempre asegúrese de que las placas de sujeción del televisor 04 y 05 estén en la posición bloqueada, de modo que el televisor quede bien sujeto a la placa mural 06.

Organizar los cables

VER PÁGINA 19

Cambie la posición de su televisor para poder conectar los cables y, a continuación, ajústelo como desee.

! PRECAUCIÓN: Evite posibles lesiones físicas y daños materiales. Los soportes del televisor pueden contener puntos de compresión durante la operación. Mantenga los dedos alejados de los puntos de compresión al retraer el televisor. (observe las flechas)

Ajustes del televisor

VER PÁGINA 19

NIVEL

VER PÁGINA 19

Para nivelar el televisor, gire el tornillo de ajuste de nivel  situado en la parte superior de cualquiera de los soportes 04 y 05 para subir o bajar el lado correspondiente del televisor.

ALTURA

VER PÁGINA 19

Ajuste la altura girando el tornillo de ajuste de nivel  situado en la parte superior de los dos soportes 04 y 05.

El televisor debe acomodarse fácilmente al moverlo y, posteriormente, quedar en su lugar. Si el televisor se inclina hacia arriba o hacia abajo de forma natural, **T** ajuste las perillas de tensión de inclinación a mano. **NOTA:** Si no pretende ajustar la inclinación a diferentes ubicaciones de visión, puede ajustar las perillas de tensión de inclinación **T** para evitar movimientos no deseados.

! PRECAUCIÓN: Evite posibles lesiones físicas y daños materiales. Los soportes del televisor pueden contener puntos de compresión durante la operación. Mantenga los dedos alejados de los puntos de compresión al retraer el televisor. (observe las flechas)

! PRECAUCIÓN: Evite posibles lesiones físicas y daños materiales. Para las aplicaciones sobre hormigón, los soportes de televisor **04** y **05** deben estar centrados en la placa mural **06**.

SOLO para instalaciones sobre montantes de madera: Deslice el televisor a la derecha o a la izquierda a lo largo de la placa mural **06** para recolocarlo.

1. Desconecte todos los cables del televisor. **2.** Para desbloquear el televisor de la placa mural: Tire hacia abajo y sostenga ambos cables de liberación **R** mientras tira con cuidado de la parte inferior del televisor para separarlo de la pared. **! PRECAUCIÓN:** Evite posibles lesiones físicas y daños materiales. Para evitar romper el pasador de seguridad: siempre tire y sostenga los cables de liberación **R** mientras retira el televisor de la pared. **3.** Levante el televisor y retírelo de la placa mural **06**. **NOTA:** Para volver a colgarlo, siga el procedimiento descrito en el PASO 3 en la PÁGINA 18.

? Solución de problemas

Espaciadores suministrados con el televisor

Si no está seguro acerca de cuáles son las herramientas que debe utilizar, póngase en contacto con el Servicio de Atención al Cliente al 800-359-5520.

a: Utilice el espaciador suministrado con el televisor para televisores que tengan plana la parte posterior (si desea que el televisor quede más pegado a la pared).

b: Use el espaciador suministrado con el televisor **03** y el espaciador en el caso de: • Televisores con parte posterior redonda (irregular) • Necesidad de más espacio para cables

NOTA: Los tornillos M8 se pueden utilizar sin las arandelas para lograr un mayor enrosque del tornillo.

! PRECAUCIÓN: Evite posibles lesiones personales y daños materiales. Use la longitud de tornillo adecuada para la rosca correspondiente.
— Si es demasiado corto, no sujetará el televisor. — Si es demasiado largo, dañará el televisor.



Thank you for choosing SANUS Elite!

Please take a moment to let us know how we did:

Legrand AV Inc.

6436 City West Parkway
Eden Prairie, MN 55344 USA

+1 (800) 359-5520 • SANUS.com

Legrand AV Inc. and its affiliated corporations and subsidiaries (collectively, "Legrand"), intend to make this manual accurate and complete. However, Legrand AV makes no claim that the information contained herein covers all details, conditions, or variations. Nor does it provide for every possible contingency in connection with the installation or use of this product. The information contained in this document is subject to change without notice or obligation of any kind. Legrand AV makes no representation of warranty, expressed or implied, regarding the information contained herein. Legrand AV assumes no responsibility for accuracy, completeness or sufficiency of the information contained in this document.

©2022 Legrand AV Inc. All rights reserved. SANUS is a brand of Legrand. SANUS Elite and the SANUS Elite logo are registered trademarks of Legrand.

Sonos and Sonos product names are trademarks or registered trademarks of Sonos, Inc. All other brand names or marks are used for identification purposes and are trademarks of their respective owners.